

28 Series Center Hung Floor Closers

- 28 Series floor closers are single acting and handed.
- A frame applied stop at 0° must be used to prevent closer from closing beyond 0°.
- They are not allowed for use on labeled fire doors and frames.
- Available in all standard architectural finishes.

Model 28 Center Hung

- Exterior or interior doors
- Weight to 300 lbs.
- Sizes up to 4'0" x 8'6"

Features

- Available (NHO) non-hold open, (AHO) automatic hold-open or (SHO) selective hold-open at 85, 90, 95, or 105°.
- Cylolac cement case standard.
- Separate independent valves for closing, latch and backcheck adjustments.
- Built-in positive dead stop prevents door from swinging beyond the desired opening degree.
- Vertical and horizontal door adjustment.
- Adjustable spring tension.
- Standard top pivot: 340.
- ANSI/C06021

Fully Concealed Arm

Model 554 (28-554)

- Same door specifications as Model 28.
- 554 Arm eliminates visible adjusting screws.
- Arm locks to closer spindle by screw—adjustments are made through heel of the door.
- Shims can not be used with the 554 Arm.



Model G28



Model 28 with 554 arm

Floor plate models shown

- For door sizes up to 4'0" x 8'6".
- Supplied with cast iron cement case.
- Bottom arm features anti-friction bearing for greater load capacity.
- Minimum door thickness is 2".
- Standard top pivot: H340.



Model H28

Extra Heavy Door Model for 1-3/4" Doors (H28 x 587)

- Same door specifications as model H28.
- For 1-3/4" thick doors.



Model H28 with 587 arm

Minimum Width

Arm Model (G28)

- For glass doors with 9" minimum width bottom rail.
- Same door specifications as Model 28.

Patch Fittings by

Others (328)

- For glass doors with closer fittings by door, manufacturer or other source.
- Door weight and size are determined by fittings.
- No arm or top pivot provided.



Model 328

Options

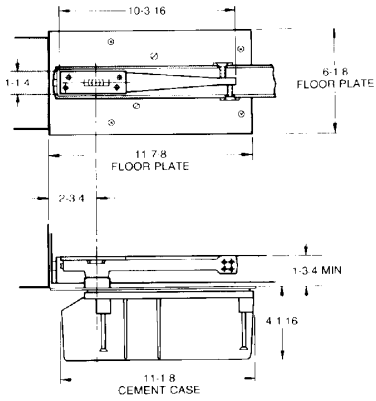
- Model available to meet ANSI A117.1 required for physically handicapped access—prefix "PH".
- For wood door—specify "W28".
- Delayed Action option available—prefix "DA".
- Cold weather fluid available for temperatures from 15°F to -35°F (Specify "CWF").
- Sealed closer available to prevent moisture from entering case—Prefix "SC".
- Extended spindles available in 1/2" increments up to 2".
- Available for floor plate or threshold application.
- Prepped for terrazzo pan.

Extra Heavy Door

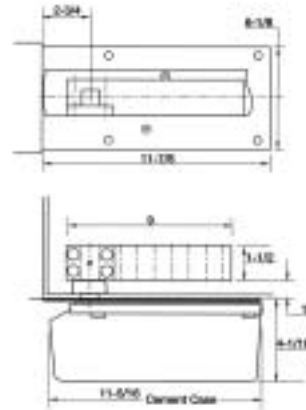
Model (H28)

- For extra heavy doors to 1000 lbs.

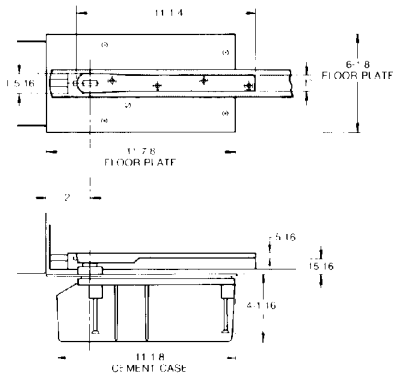
Specifications



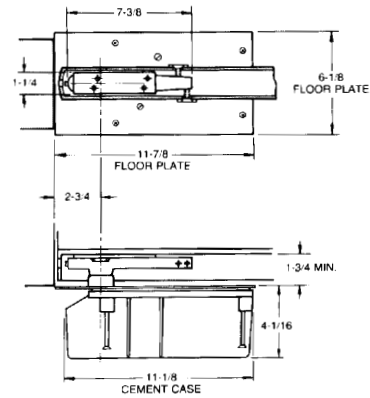
Model 28 with Standard Arm



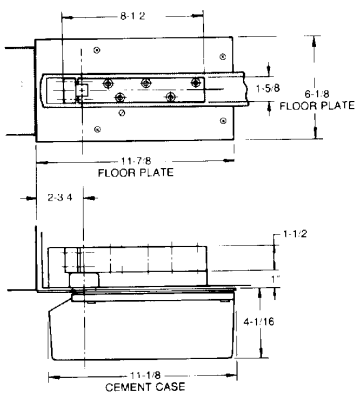
Model H28 with 587 Arm



Model 28 with 554 Arm



Model G28



Model H28

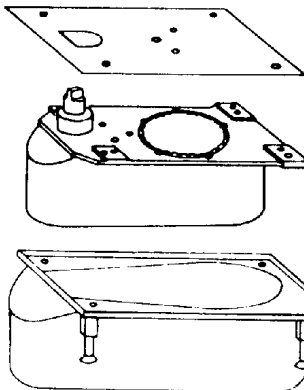
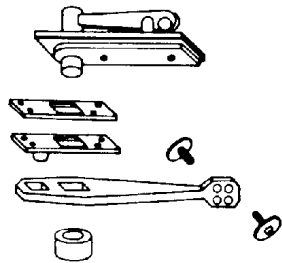
Ordering Information

Complete 28 Series closers include:

- Top Pivot: 340
- Arm Package: 282026
- Floor Plate: 284720 (specify hand)
- *Closer (less all parts): 28-90N (specify hand)
- 28-90S (specify hand)
- 28-105N (specify hand)
- 28-105S (specify hand)
- DAPH28-90S (specify hand)
- PH28-90S (specify hand)
- Cement Case: 253000

Options available:

- Heavy Duty Top Pivot: H340
- Metal Cement case: 253001



28 Series (standard) package includes: closer, cement case, floor plate, arm and shims, alignment screws and top pivot.

Complete 28 Closers with the 554 Arm include the same parts as a Model 28 except:

Arm Package: 282554

Complete G28 Closers include the same parts as a Model 28 except:

Arm Package: 282020

Complete H28 Series closers include:

- Top Pivot: H340
- Arm Package: 262022
- Floor Plate: 284720 (specify hand)
- *Closer (less all parts): H28-90S (specify hand)
- H28-105S (specify hand)
- Cement Case: 253001

Complete H28 Closers with the 587 arm include the same parts as a Model H28 except:

Arm Package: 262587

Complete 328 Series closers include::

- Floor Plate: 284720 (specify hand)
- *Closer (less all parts): 328-90S (specify hand)
- Cement Case: 253000

**Other closer options are available.*

Heavy Duty Floor Closers

30/40 Series Center Hung Floor Closers

- 30/40 Series floor closers are double acting and non-handed.
- They may not be used on labeled doors and frames.
- Maximum degree of opening: 103°.
- Two closers in one-two sets of plungers and springs for positive door control.
- Overhead stop recommended.

Model 30/40/H40

Model 30

- Interior doors.
- Weight 200 lbs.
- Size 3'6" X 7'0".

Model 40

- Interior doors.
- Weight 300 lbs.
- Size 3'6" X 7'0".

Model H40

- Interior doors.
- Weight 1000 lbs.
- Size up to 4'0".

30/40 Features

- Available (NHO) non-hold open or AHO at 90° (door swings to 95°).
- Steel cement case.
- Horizontal adjustment; adjusting screw on arm makes it possible to align door horizontally toward or away from frame and lock in desired position.
- Vertical adjustment: Door may be raised or lowered, through the use of shims.
- Adjustable spring tension and closing speed.
- Standard top pivot: 340.
- Center hung door closers do not use an intermediate pivot.

H40 Features

- Available non-hold open only.
- Minimum door thickness is 2".
- Standard top pivot: H340.
- Available with 587 arm package for 1-3/4" doors.

30/40/H40 Options

- Specify W30/W40 model for wood doors.
- To meet ANSI A117.1 required for physically handicapped access—prefix "PH". Due to reduced spring tension, stack pressure may cause the door to pull off center. Use care when specifying "PH" (not available on H40 closers).
- Cold weather fluid available for temperatures from 15°F to -35°F (Specify "CWF").

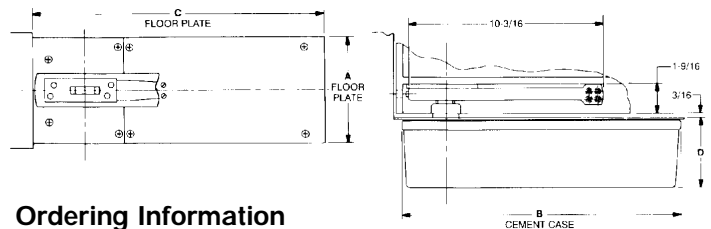
- Sealed closer available to prevent moisture from entering case—Prefix "SC".
- Extended spindles 1/2" increments up to 2".
- Available for floor plate or threshold application.

Specifications

MODEL NUMBER	DIMENSIONS			
	A	B	C	D
30	5-1/2"	14-9/16"	15-1/8"	3-5/8"
40/H40	6-1/8"	17"	17-1/4"	4-1/16"



Floor plate installation shown



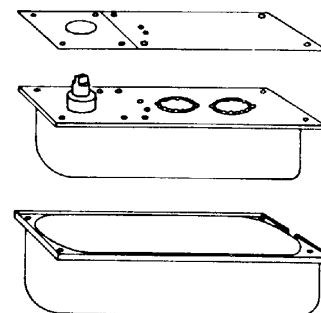
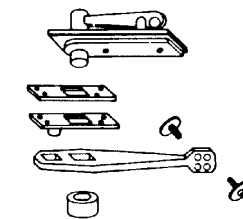
Ordering Information

Complete 30/40/H40 Series Closers include:

	Model 30	Model 40	Model H40
Top Pivot:	340	340	H340
Arm Package:	302026	302026	262022
Floor Plate:	304020	404020	404020
*Closer (less all parts):	30	40	H40
	30-90A	40-90A	
	30-100A	40-100A	
Cement Case:	303000	403000	403000

Options available:

Heavy Duty Top Pivot: H340 H340



30-40 Series package includes: closer, cement case, floor plate, arm and shims, alignment screws and top pivot.