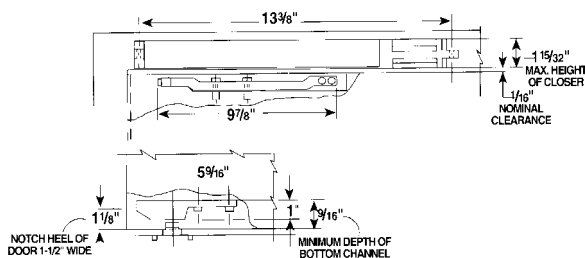
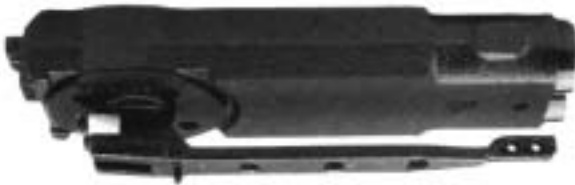


Rixson Overhead Concealed Closers are an excellent choice for applications where a surface mounted or concealed closer is unsuitable or impractical to use. A variety of arms, cover plates and pivots are available to allow Rixson Overhead Closers to be applied to aluminum, wood or hollow metal doors and frames.

- Rixson Overhead Concealed Closers are designed for medium traffic interior doors up to 3'8" x 8'0" x 1-3/4", not exceeding 200 lbs.; and for exterior light traffic doors 3'6" x 8'0" x 1-3/4", not exceeding 200 lbs.
- Concealed mounting helps reduce vandalism and maintains architectural aesthetics.
- Compact design fits 1-3/4" X 4" head aluminum frame.
- Adjustable closing speed.
- Center and offset hung styles available.
- Non hold-open and hold-open available, 90° and 105°.

### 608 Series Overhead Concealed Closer Center Hung — Single or Double Acting

- Exterior or interior doors.
- Weight up to 200 lbs.
- Sizes up to 3'8" x 8'0" x 1-3/4" .



#### Features

- Set includes bottom pivot.
- Unit can be single or double acting.
- Closer body is non-handed.
- Cast iron body & steel spindle/pistons insure life cycle economy and trouble-free operation.
- Ball-bearing bottom pivots allow vertical adjustment up to 3/16", and can be mounted on floor or threshold.
- Sprayed aluminum, dark bronze, or light bronze finishes.
- Positive stop at 90° or 105°.
- Hold-open available at 90° and 105°.
- Always use auxiliary stop.
- 1/2" spindle extension available on closer.
- Not available with PH, CWF, or DA.

### 608EL

Standard for aluminum door and frame installation.

- Door must be open for arm screws to be accessible.
  - Non-handed.
  - Two screws provided.
  - Supplied with machine screws.
  - Includes: 608 Closer—Specify 90° or 105°,  
Hold Open or Non-Hold Open.
- |              |         |
|--------------|---------|
| End Load Arm | 608005A |
| Bottom Pivot | 608011  |
| Mounting Kit | 608019  |
- Cover plate not included.

### 608SL

Side load arm for aluminum door and frame applications.

- Arm mounting screws accessible when door is in closed position.
  - It is recommended that door manufacturer hand door so mounting screws are on the inside.
  - Door dress plate and three mounting screws provided.
  - Supplied with machine screws.
  - Includes: 608 Closer—Specify 90° or 105°,  
Hold Open or Non-Hold Open.
- |               |         |
|---------------|---------|
| Side Load Arm | 608005S |
| Bottom Pivot  | 608011  |
| Mounting Kit  | 608019  |
- Cover plate not included.

### W608

For wood door with wood or hollow metal frame applications.

- Supplied with wood screws.
  - Includes: 608 Closer—Specify 90° or 105°,  
Hold Open or Non-Hold Open.
- |                              |            |
|------------------------------|------------|
| End Load Arm with Plate      | 6002021    |
| Bottom Pivot                 | 217        |
| Mounting Kit                 | 608049-PKG |
| Cover Plate (Specify finish) | 6084000    |
- Available finishes: 605, 612, 625, **626**, 313

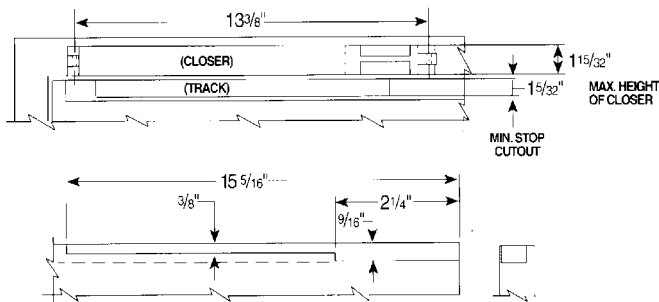
### M608

- For metal doors with metal frames.
  - Supplied with machine screws.
  - Includes: 608 Closer—Specify 90° or 105°,  
Hold Open or Non-Hold Open.
- |                              |            |
|------------------------------|------------|
| End Load Arm                 | 608005A    |
| Bottom Pivot                 | 217        |
| Mounting Kit                 | 608049-PKG |
| Cover Plate (Specify finish) | 6084000    |
- Available finishes: 605, 612, 625, **626**, 313

**Overhead Concealed Closers**

**0608 Series Overhead Concealed Closer  
Offset Hung**

- Exterior or interior doors.
- Weight up to 200 lbs.
- Sizes up to 3'8" x 8'0" x 1-3/4".



**Features**

- Means of hanging: offset pivots, butts, etc. by others.
- Cast iron body and steel spindle/pistons insure life cycle economy and trouble-free operation.
- Sprayed aluminum, dark bronze, and light bronze finishes.
- Positive stop at 90° and 105°.
- Hold-open available at 90° and 105°.
- Auxiliary stop required.
- 1/2" spindle extensions available on closer.
- Not available PH, CWE, DA.
- Offset arm packages available in a variety of sprayed finishes.

**0608**

Standard for aluminum doors and frames.

- Closer body is universal.
- Arm is reversible.
- Includes: 608 Closer—Specify 90° or 105°,  
Hold Open or Non-Hold Open.  
Offset Arm and Channel (Specify hand) 06082012  
Mounting Bracket 608019
- Cover plate not included (optional—specify finish) 6084000
- Available finishes for cover: 605, 612, 625, **626, 313.**

**M0608**

For hollow metal doors with wood or hollow metal frames.

- Closer body is universal.
- Arm is reversible.
- Includes: 608 Closer—Specify 90° or 105°,  
Hold Open or Non-Hold Open.  
Offset Arm and Channel (Specify hand) 06082012  
Mounting Case 608049-PKG  
Cover Plate (Specify finish) 6084000  
Screws—wood/machine—as required
- Available finishes for cover: 605, 612, 625, **626, 313.**

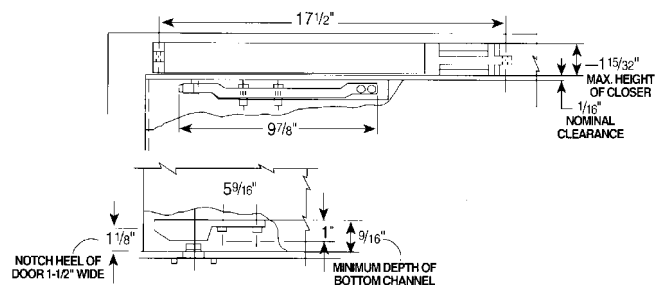
**W0608**

For wood doors with wood or hollow metal frames.

- Closer body is universal.
- Arm is reversible.
- Includes: 608 Closer—Specify 90° or 105°,  
Hold Open or Non-Hold Open.  
Offset Arm and Channel (Specify hand) 06082012  
Mounting Case 608049-PKG  
Cover Plate (Specify finish) 6084000  
Screws—wood/machine—as required
- Available finishes for cover: 605, 612, 625, **626, 313.**

**700/800 Series Overhead  
Concealed Closer  
Center Hung**

- 700 Series—Single Acting—Specify swing of door.
- 800 Series—Double Acting—Non-handed.
- 200 lbs. maximum weight.
- 700 Series—ANSI C05052.
- 800 Series—NSI C05052, C05062.



**700/800 Spring Sizes**

- 706-806—Exterior: 2'6" x 8'0" x 1-3/4"  
Interior: 3'0" x 8'0" x 1-3/4"
- 706-806 Meet ADA requirements for 36" interior doors.
- 707-807—Exterior: 3'0" x 8'0" x 1-3/4"  
Interior: 3'3" x 8'0" x 1-3/4"
- 708-808—Exterior: 3'6" x 8'0" x 1-3/4"  
Interior: 3'8" x 8'0" x 1-3/4"

**Features**

- Positive stop and hold-open at 90° or 105°.
- Auxiliary stop required.
- 700 Series has hydraulic backcheck.
- Closing speed control.
- Vertical adjustment bottom pivot 3/16".
- Maximum bottom pivot clearance 3/4".
- Sprayed aluminum, dark bronze, or light bronze finishes.
- Aluminum door and frame, specify 700/800.
- Metal door and frame, specify M700/M800.
- Wood door and metal frame, specify MW700/MW800.
- Wood door and wood frame, specify W700/W800.
- 1/2" extended spindle available.
- Not available PH, CWE, or DA.
- 700 Series handed.

**706/707/708**

For narrow stile doors and frames (7/8" minimum top rail).

- Single Acting—Specify swing of door.
  - Supplied with machine screws.
  - Includes: 706/707/708 Closer—Specify 90° or 105°,  
Swing of Door,  
Hold Open or Non-Hold Open.
- |  |         |
|--|---------|
| Arm Package                                      | 8002020 |
| Bottom Pivot                                     | 217     |
| ■ Options: Cover Plate (Specify finish and hand) | 7004000 |
| Attaching Brackets                               | 163     |
- Available finishes: 605, 612, 625, **626**, 313.

**MW706/707/708 and M706/707/708**

For hollow metal frames with wood or hollow metal doors.

- Single Acting—Specify swing of door.
  - MW706/707/708 Closers supplied with machine screws and wood screws as required.
  - M706/707/708 Closers supplied with machine screws.
  - Includes: 706/707/708 Closer Body—Specify 90° or 105°,  
Swing of Door,  
Hold Open or Non-Hold Open.
- |                                       |         |
|---------------------------------------|---------|
| Arm Package (for metal doors)         | 8002020 |
| (for wood doors)                      | 8002021 |
| Bottom Pivot                          | 217     |
| Cover Plate (Specify finish and hand) | 7004000 |
- Options: Mounting Channel 192
  - Wood door end caps for MW models 199
  - Available finishes: 605, 612, 625, **626**, 313.

**W706/707/708**

For wood doors and frames.

- Single Acting—specify swing of door.
  - Supplied with wood screws.
  - Includes: 706/707/708 Closer Body—Specify 90° or 105°,  
Swing of Door,  
Hold Open or Non-Hold Open.
- |                                       |         |
|---------------------------------------|---------|
| Arm Package                           | 8002021 |
| Bottom Pivot                          | 217     |
| Cover Plate (Specify finish and hand) | 7004000 |
- Options: Mounting Plate 198
  - Wood door end caps 199
  - Available finishes: 605, 612, 625, **626**, 313.

**806/807/808**

For narrow stile doors and frames (7/8" minimum top rail).

- Double Acting.
  - Supplied with machine screws.
  - Includes: 807/808 Closer Body—Specify 90° or 105°,  
Swing of Door,  
Hold Open or Non-Hold Open.
- |              |         |
|--------------|---------|
| Arm Package  | 8002020 |
| Bottom Pivot | 217     |
- Options: Cover Plate (Specify finish) 8004000
  - Attaching Brackets 163
  - Available finishes: 605, 612, 625, **626**, 313.

**MW806/807/808 and M806/807/808**

For hollow metal frames with wood or hollow metal doors.

- Double Acting.
  - MW807/808 Closers supplied with machine screws and wood screws as required.
  - M807/808 Closers supplied with machine screws.
  - Includes: 807/808 Closer Body—Specify 90° or 105°,  
Hold Open or Non-Hold Open.
- |                               |         |
|-------------------------------|---------|
| Arm Package (for metal doors) | 8002020 |
| (for wood doors)              | 8002021 |
| Bottom Pivot                  | 217     |
| Cover Plate (Specify finish)  | 8004000 |
- Options: Mounting Channel 192
  - Wood door end caps for MW models 199
  - Available finishes: 605, 612, 625, **626**, 313.

**W806/807/808**

For wood doors and frames.

- Double Acting.
  - Supplied with wood screws.
  - Includes: 807/808 Closer Body—Specify 90° or 105°,  
Hold Open or Non-Hold Open.
- |                              |         |
|------------------------------|---------|
| Arm Package                  | 8002021 |
| Bottom Pivot                 | 217     |
| Cover Plate (Specify finish) | 8004000 |
- Options: Mounting Plate 198
  - Wood door end caps 199
  - Available finishes: 605, 612, 625, **626**, 313.