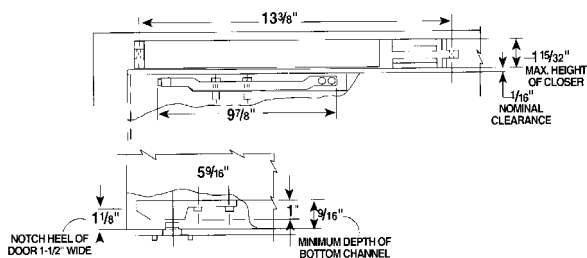
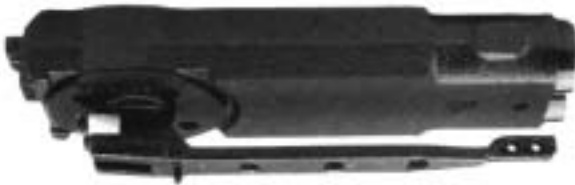


Rixson Overhead Concealed Closers are an excellent choice for applications where a surface mounted or concealed closer is unsuitable or impractical to use. A variety of arms, cover plates and pivots are available to allow Rixson Overhead Closers to be applied to aluminum, wood or hollow metal doors and frames.

- Rixson Overhead Concealed Closers are designed for medium traffic interior doors up to 3'8" x 8'0" x 1-3/4", not exceeding 200 lbs.; and for exterior light traffic doors 3'6" x 8'0" x 1-3/4", not exceeding 200 lbs.
- Concealed mounting helps reduce vandalism and maintains architectural aesthetics.
- Compact design fits 1-3/4" X 4" head aluminum frame.
- Adjustable closing speed.
- Center and offset hung styles available.
- Non hold-open and hold-open available, 90° and 105°.

608 Series Overhead Concealed Closer Center Hung — Single or Double Acting

- Exterior or interior doors.
- Weight up to 200 lbs.
- Sizes up to 3'8" x 8'0" x 1-3/4" .



Features

- Set includes bottom pivot.
- Unit can be single or double acting.
- Closer body is non-handed.
- Cast iron body & steel spindle/pistons insure life cycle economy and trouble-free operation.
- Ball-bearing bottom pivots allow vertical adjustment up to 3/16", and can be mounted on floor or threshold.
- Sprayed aluminum, dark bronze, or light bronze finishes.
- Positive stop at 90° or 105°.
- Hold-open available at 90° and 105°.
- Always use auxiliary stop.
- 1/2" spindle extension available on closer.
- Not available with PH, CWF, or DA.

608EL

Standard for aluminum door and frame installation.

- Door must be open for arm screws to be accessible.
 - Non-handed.
 - Two screws provided.
 - Supplied with machine screws.
 - Includes: 608 Closer—Specify 90° or 105°,
Hold Open or Non-Hold Open.
- | | |
|--------------|---------|
| End Load Arm | 608005A |
| Bottom Pivot | 608011 |
| Mounting Kit | 608019 |
- Cover plate not included.

608SL

Side load arm for aluminum door and frame applications.

- Arm mounting screws accessible when door is in closed position.
 - It is recommended that door manufacturer hand door so mounting screws are on the inside.
 - Door dress plate and three mounting screws provided.
 - Supplied with machine screws.
 - Includes: 608 Closer—Specify 90° or 105°,
Hold Open or Non-Hold Open.
- | | |
|---------------|---------|
| Side Load Arm | 608005S |
| Bottom Pivot | 608011 |
| Mounting Kit | 608019 |
- Cover plate not included.

W608

For wood door with wood or hollow metal frame applications.

- Supplied with wood screws.
 - Includes: 608 Closer—Specify 90° or 105°,
Hold Open or Non-Hold Open.
- | | |
|------------------------------|------------|
| End Load Arm with Plate | 6002021 |
| Bottom Pivot | 217 |
| Mounting Kit | 608049-PKG |
| Cover Plate (Specify finish) | 6084000 |
- Available finishes: 605, 612, 625, **626**, 313

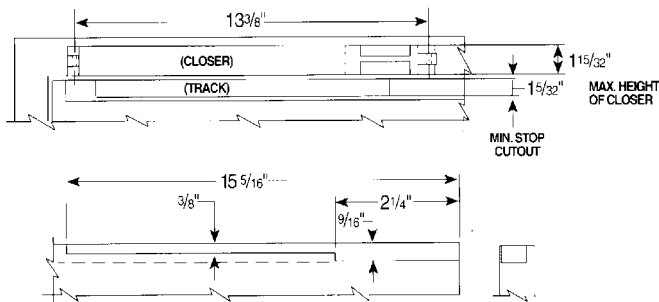
M608

- For metal doors with metal frames.
 - Supplied with machine screws.
 - Includes: 608 Closer—Specify 90° or 105°,
Hold Open or Non-Hold Open.
- | | |
|------------------------------|------------|
| End Load Arm | 608005A |
| Bottom Pivot | 217 |
| Mounting Kit | 608049-PKG |
| Cover Plate (Specify finish) | 6084000 |
- Available finishes: 605, 612, 625, **626**, 313

Overhead Concealed Closers

**0608 Series Overhead Concealed Closer
Offset Hung**

- Exterior or interior doors.
- Weight up to 200 lbs.
- Sizes up to 3'8" x 8'0" x 1-3/4".



Features

- Means of hanging: offset pivots, butts, etc. by others.
- Cast iron body and steel spindle/pistons insure life cycle economy and trouble-free operation.
- Sprayed aluminum, dark bronze, and light bronze finishes.
- Positive stop at 90° and 105°.
- Hold-open available at 90° and 105°.
- Auxiliary stop required.
- 1/2" spindle extensions available on closer.
- Not available PH, CWE, DA.
- Offset arm packages available in a variety of sprayed finishes.

0608

Standard for aluminum doors and frames.

- Closer body is universal.
- Arm is reversible.
- Includes: 608 Closer—Specify 90° or 105°,
Hold Open or Non-Hold Open.
Offset Arm and Channel (Specify hand) 06082012
Mounting Bracket 608019
- Cover plate not included (optional—specify finish) 6084000
- Available finishes for cover: 605, 612, 625, **626, 313.**

M0608

For hollow metal doors with wood or hollow metal frames.

- Closer body is universal.
- Arm is reversible.
- Includes: 608 Closer—Specify 90° or 105°,
Hold Open or Non-Hold Open.
Offset Arm and Channel (Specify hand) 06082012
Mounting Case 608049-PKG
Cover Plate (Specify finish) 6084000
Screws—wood/machine—as required
- Available finishes for cover: 605, 612, 625, **626, 313.**

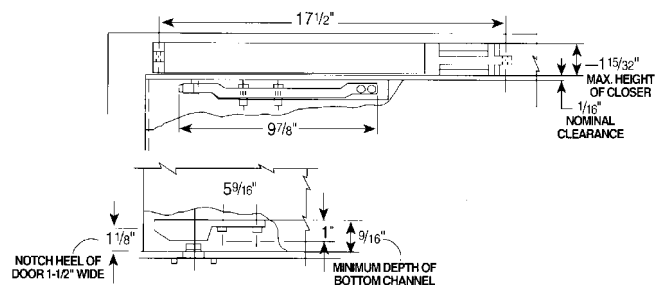
W0608

For wood doors with wood or hollow metal frames.

- Closer body is universal.
- Arm is reversible.
- Includes: 608 Closer—Specify 90° or 105°,
Hold Open or Non-Hold Open.
Offset Arm and Channel (Specify hand) 06082012
Mounting Case 608049-PKG
Cover Plate (Specify finish) 6084000
Screws—wood/machine—as required
- Available finishes for cover: 605, 612, 625, **626, 313.**

**700/800 Series Overhead
Concealed Closer
Center Hung**

- 700 Series—Single Acting—Specify swing of door.
- 800 Series—Double Acting—Non-handed.
- 200 lbs. maximum weight.
- 700 Series—ANSI C05052.
- 800 Series—NSI C05052, C05062.



700/800 Spring Sizes

- 706-806—Exterior: 2'6" x 8'0" x 1-3/4"
Interior: 3'0" x 8'0" x 1-3/4"
- 706-806 Meet ADA requirements for 36" interior doors.
- 707-807—Exterior: 3'0" x 8'0" x 1-3/4"
Interior: 3'3" x 8'0" x 1-3/4"
- 708-808—Exterior: 3'6" x 8'0" x 1-3/4"
Interior: 3'8" x 8'0" x 1-3/4"

Features

- Positive stop and hold-open at 90° or 105°.
- Auxiliary stop required.
- 700 Series has hydraulic backcheck.
- Closing speed control.
- Vertical adjustment bottom pivot 3/16".
- Maximum bottom pivot clearance 3/4".
- Sprayed aluminum, dark bronze, or light bronze finishes.
- Aluminum door and frame, specify 700/800.
- Metal door and frame, specify M700/M800.
- Wood door and metal frame, specify MW700/MW800.
- Wood door and wood frame, specify W700/W800.
- 1/2" extended spindle available.
- Not available PH, CWE, or DA.
- 700 Series handed.

706/707/708

For narrow stile doors and frames (7/8" minimum top rail).

- Single Acting—Specify swing of door.
 - Supplied with machine screws.
 - Includes: 706/707/708 Closer—Specify 90° or 105°,
Swing of Door,
Hold Open or Non-Hold Open.
- | | |
|--|---------|
| Arm Package | 8002020 |
| Bottom Pivot | 217 |
| ■ Options: Cover Plate (Specify finish and hand) | 7004000 |
| Attaching Brackets | 163 |
- Available finishes: 605, 612, 625, **626**, 313.

MW706/707/708 and M706/707/708

For hollow metal frames with wood or hollow metal doors.

- Single Acting—Specify swing of door.
 - MW706/707/708 Closers supplied with machine screws and wood screws as required.
 - M706/707/708 Closers supplied with machine screws.
 - Includes: 706/707/708 Closer Body—Specify 90° or 105°,
Swing of Door,
Hold Open or Non-Hold Open.
- | | |
|---------------------------------------|---------|
| Arm Package (for metal doors) | 8002020 |
| (for wood doors) | 8002021 |
| Bottom Pivot | 217 |
| Cover Plate (Specify finish and hand) | 7004000 |
- Options: Mounting Channel 192
 - Wood door end caps for MW models 199
 - Available finishes: 605, 612, 625, **626**, 313.

W706/707/708

For wood doors and frames.

- Single Acting—specify swing of door.
 - Supplied with wood screws.
 - Includes: 706/707/708 Closer Body—Specify 90° or 105°,
Swing of Door,
Hold Open or Non-Hold Open.
- | | |
|---------------------------------------|---------|
| Arm Package | 8002021 |
| Bottom Pivot | 217 |
| Cover Plate (Specify finish and hand) | 7004000 |
- Options: Mounting Plate 198
 - Wood door end caps 199
 - Available finishes: 605, 612, 625, **626**, 313.

806/807/808

For narrow stile doors and frames (7/8" minimum top rail).

- Double Acting.
 - Supplied with machine screws.
 - Includes: 807/808 Closer Body—Specify 90° or 105°,
Swing of Door,
Hold Open or Non-Hold Open.
- | | |
|--------------|---------|
| Arm Package | 8002020 |
| Bottom Pivot | 217 |
- Options: Cover Plate (Specify finish) 8004000
 - Attaching Brackets 163
 - Available finishes: 605, 612, 625, **626**, 313.

MW806/807/808 and M806/807/808

For hollow metal frames with wood or hollow metal doors.

- Double Acting.
 - MW807/808 Closers supplied with machine screws and wood screws as required.
 - M807/808 Closers supplied with machine screws.
 - Includes: 807/808 Closer Body—Specify 90° or 105°,
Hold Open or Non-Hold Open.
- | | |
|-------------------------------|---------|
| Arm Package (for metal doors) | 8002020 |
| (for wood doors) | 8002021 |
| Bottom Pivot | 217 |
| Cover Plate (Specify finish) | 8004000 |
- Options: Mounting Channel 192
 - Wood door end caps for MW models 199
 - Available finishes: 605, 612, 625, **626**, 313.

W806/807/808

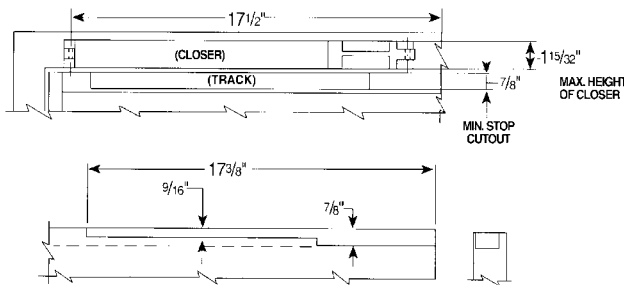
For wood doors and frames.

- Double Acting.
 - Supplied with wood screws.
 - Includes: 807/808 Closer Body—Specify 90° or 105°,
Hold Open or Non-Hold Open.
- | | |
|------------------------------|---------|
| Arm Package | 8002021 |
| Bottom Pivot | 217 |
| Cover Plate (Specify finish) | 8004000 |
- Options: Mounting Plate 198
 - Wood door end caps 199
 - Available finishes: 605, 612, 625, **626**, 313.

Overhead Concealed Closers

**Series 0700 Overhead Concealed Closer
Offset Hung**

- 200 lbs. max.
- ANSI A156.4, C05032, C05042



Spring Sizes

- 0706—Exterior: up to 2'6" x 8'0" x 1-3/4".
Interior: up to 3'0" x 8'0" x 1-3/4".
0706 Meet ADA requirements for 36" interior doors.
- 0707—Exterior: up to 3'0" x 8'0".
Interior: up to 3'3" x 8'0".
- 0708—Exterior: up to 3'6" x 8'0".
Interior: up to 3'8" x 8'0".

Features

- Hanging means by others.
- Positive stop and hold-open.
4" x 4" butts, 4-1/2" x 4" butts at 86° or 106°.
4-1/2" x 4-1/2" butts at 88° or 108°.
M19 pivots 93° or 108°.
- Auxiliary stop required.
- Specify automatic hold-open or non hold-open at 90° or 105°.
- Adjustable closing speed.
- UL approved for fire-rated openings.
- Handed—Specify swing of door.

0706/0707/0708

For narrow stile aluminum doors and frames.

- Single Acting.
- Supplied with machine screws.
- Includes: 707/708 Closer—Specify 90° or 105°,
Swing of Door,
Hold Open or Non-Hold Open.
Arm (Specify hand) 08002010
Rail package 08005011
- Options: Cover Plate (Specify finish and hand) 7004000
Attaching Brackets 163
- Available finishes: 605, 612, 625, **626**, 313.

MW0706/0707/0708 and M0706/0707/0708

For hollow metal frames with wood or hollow metal doors.

- Single Acting.
- MW Closers supplied with machine screws and wood screws as required.
- M Closers supplied with machine screws.
- Includes: 707/708 Closer Body — Specify 90° or 105°,
Swing of Door,
Hold Open or Non-Hold Open.
Arm (Specify hand) 08002010
Rail package 08005010
Cover Plate (Specify finish and hand) 7004000
- Options: Mounting Channel 192
Wood door end caps for MW models 199
- Available finishes: 605, 612, 625, **626**, 313

W0706/0707/0708

For wood doors and frames.

- Single Acting.
- Supplied with wood screws.
- Includes: 707/708 Closer Body — Specify 90° or 105°,
Swing of Door,
Hold Open or Non-Hold Open.
Arm (Specify hand) 08002010
Rail package 08005011
Cover Plate (Specify finish and hand) 7004000
- Options: Mounting Plate 198
Wood door end caps 199
- Available finishes: 605, 612, 625, **626**, 313