



Surface Applied
Door Closers

DORMA 8600

Technical Details and Specifications 3
 How to Order. 4

Technical Drawings

Regular x flat form arm (or round form arm). 5
 Regular x friction hold open 6
 Regular x plunger hold open 6
 Regular x Integra stop arm 7
 Regular x round form arm, narrow profile 7
 Regular x flat form arm (or round form arm) x backplate 8
 Regular x mortised jamb bracket. 8
 Top jamb x flat form arm (or round form arm). 9
 Top jamb x friction hold open 9
 Top jamb x Integra stop arm 10
 Top jamb x flat form arm (or round form arm) x
 backplate. 10
 Top jamb x flat form arm (or round form arm) x
 drop plate 11
 Top jamb x flat form arm (or round form arm) x
 angle bracket 11
 Parallel arm x flat form arm (or round form arm). 12
 Parallel arm x friction hold open 12
 Parallel arm x plunger hold open. 13
 Parallel arm x flat form arm (or round form arm) x
 DP86 drop plate. 13
 Parallel arm x flat form arm (or round form arm) x
 mortised jamb bracket. 14
 Parallel arm x flat form arm (or round form arm) x
 parallel drop bracket 14
 Parallel arm x flat form arm (or round form arm) x
 parallel flush transom bracket 15
 Heavy-duty super parallel arm. 15
 Heavy-duty parallel arm door saver x dead stop. 16
 Heavy-duty super parallel arm x narrow frame bracket. . . . 16
 Heavy-duty parallel arm door saver x dead stop x
 narrow frame bracket. 17
 Heavy-duty super parallel arm x blade stop spacer 17
 Heavy-duty parallel arm door saver x dead stop x
 blade stop spacer 18
 Heavy-duty super parallel arm x
 flush transom bracket 18
 Heavy-duty parallel arm door saver x dead stop x
 flush transom bracket 19
 Track - pull side door mounted 19
 Jamb track - pull side frame mounted 20
 Push track - push side soffit mounted 20
 Flush track - push side door mounted x backplate 21
 Track double egress - pull side frame mounted 21

Accessories

Flat form arm 22
 Flat form arm for MJ 22
 Flat form arm shoe and bar 22
 Round form arm (8 mm rod). 22
 Round form arm (10 mm rod). 22
 Regular arm shoe and rod 22
 Narrow profile arm (8 mm). 22
 Narrow profile arm (10 mm). 23
 Friction hold open arm. 23
 Integra stop arm 23
 Plunger hold open arm. 23
 Super parallel arm. 24
 Door saver arm 24
 Track arm 24
 TDE track arm. 24
 Push side track arm. 24
 Slim plastic cover 24
 Full plastic cover. 24
 Full metal cover 24
 BP86 backplate 25
 BP86FC backplate 25
 BP86T backplate 25
 BP86TFC backplate. 25
 BP86FTFC backplate. 25
 DP86 drop plate 25
 DP86FC drop plate 25
 AB86 angle bracket. 25
 Parallel drop bracket 26
 P86 parallel arm bracket 26
 Parallel hold open bracket 26
 Parallel flush transom bracket 26
 Narrow frame bracket 26
 Flush transom bracket 26
 Mortised jamb bracket 26
 BP86C conversion plate. 26
 Blade stop spacer 27
 Heavy-duty blade stop spacer 27
 Sex nuts. 27

CERTIFIED
ISO 9001



The quality management system at the Reamstown, PA facility is certified to ISO-9001.*



*DORMA Door Controls Inc., dba: DORMA Architectural Hardware


The 8600 Series closer represents the next generation of door control designed to exceed the demands of today's buildings.

With features like the full range spring power adjustment, the 8600 Series closer provides the flexibility needed to meet the many demands of commercial and institutional applications, including ADA barrier-free accessibility requirements.

This door control also features a **backcheck positioning** adjustment for parallel arm applications, to maintain an ANSI backcheck range similar to regular and top jamb applications. The modern slim cover, flat form arm, and architectural finishes provide the aesthetic qualities required of architectural grade closers.

In addition to all of these superior features, the 8600 Series is backed by DORMA's unprecedented 25-year warranty.

Technical Details:

-  Available as 8616 closers for interior and exterior doors.
- Meets barrier-free requirements (adjustable size 1 thru 6).
- Non-handed for regular, top jamb and parallel arm applications.
- Adjustable backcheck standard. Controls opening motion during abusive or abrupt opening.
- Backcheck positioning valve standard. Maintains effective backcheck range on parallel arm applications. Valve is accessible with the closer installed.
- Optional delayed action adjustable with a separate independent valve. Delays door closing to allow unobstructed passage through the opening.
- Slim plastic cover standard. Full plastic or metal cover optional.
- Designed to minimize change in closing speed during severe temperature changes.
- Aesthetically pleasing and easy to adjust steel flat form arm assembly.
- A full complement of optional arms, plates, and brackets available for special applications.

Certification:

The DORMA 8600 Series is listed by U.L. and C.U.L. under their continuing reinspection programs. The 8600 Series is certified to the requirements of ANSI A156.4 Grade 1. Meets the requirements for UL10C and UBC 7.2 (1997) for positive pressure. Meets ANSI A117.1 and ADA for barrier-free accessibility. California State Fire Marshall (CSFM) approved.

Specification:

The architectural grade 8600 Series is a non-handed surface applied door closer with adjustable spring power and backcheck positioning adjustment. Adjustable hydraulic backcheck will take effect at approximately 70°.

Features	8616
Adjustable spring size	1– 6
Non-handed	•
Parallel arm bracket	•
Full line of specialty function arms and plates	•
Backcheck positioning adjustment	•
Controlled closing with two independent adjustable valves	180°–10° 10°–0°
Backcheck	•
Delayed action	○
Hold open	○
Self-tapping screws	○
Slim plastic cover	•
Full cover (metal or plastic)	○

• yes - no ○ optional

The 8600 has two independent, noncritical adjustment valves to control sweep and latch closing speeds. The backcheck positioning valve assures an effective ANSI backcheck range on parallel arm applications. All closers to have field adjustable spring power from size 1 to 6 and meet barrier-free requirements. Closers to have a slim plastic cover and a wide range of arm options.

Optional Specifications:

The 8600 Series closer will have optional delayed action (DA). Delayed action range will be effective from maximum opening to approximately 65°. All 8600 closers to have full metal cover (FMC) or full plastic cover (FC). All 8600 closers to have sex nuts with machine screws for 1-3/4" door (SNB1) or 1-3/8" door (SNB2). Closers to have self-tapping screws for metal doors and frames (TPK86). Closers to have TORX security for all exposed fasteners (TX86).

Warranty: 25 years.

Finishes:

Standard Sprayed Finishes:

Aluminum: 689.
Bronze: 691 (Dull), 690 (Statuary), or 695 (Dark Duranodic).
Gold: 696.
Black: 693.

Optional Special Color Sprayed Finishes: Specify code number or submit 3 color chip samples.

Optional Plated Finishes:

Brass: 605 (Bright) or 606 (Satin).
Bronze: 611 (Bright), 612 (Satin), or
613 (Oxidized Satin Oil Rubbed).
Nickel: 618 (Bright) or 619 (Satin).
Chrome: 625 (Bright) or 626 (Satin).

How to Order 8600 Series		Example:
Size	Adjustable 1–6	8616
Application	No Designation - Regular mount P - Regular, top jamb and parallel mount J - Top jamb mount	8616 AF86 8616 AF86P 8616 AF86J
Body Option	DA - Adjustable delayed action COV - Slim plastic cover FC - Full plastic cover FMC - Full metal cover (specify hand for TJ, T, and FT applications)	8616DA 8616 COV 8616 FC 8616 FMC
Arm	AF86 - Flat form non-hold open (regular mount) AF86J - Flat form non-hold open (top jamb mount) AF86P - Flat form non-hold open (parallel arm mount) AR - Round form non-hold open (regular mount) ARJ - Round form non-hold open (top jamb mount) ARP - Round form non-hold open (parallel arm mount) FH - Friction hold open (regular mount) FHJ - Friction hold open (top jamb 4" to 8" reveal) FHP - Friction hold open (parallel arm) PH - Plunger hold open (regular or [top jamb 0" to 1-1/2" reveal]) PHP - Plunger hold open (parallel arm or [top jamb 1-1/2" to 3-1/2" reveal]) IS8 - Dead stop arm (regular mount) ISJ - Dead stop arm (top jamb 4" to 6" reveal) SPA8 - Super parallel arm SPAT8 - Super parallel arm, thumb turn hold open SPAK8 - Super parallel arm, hex key turn hold open DS8 - Door saver parallel arm DST8 - Door saver parallel arm, thumb turn hold open DSK8 - Door saver parallel arm, hex key turn hold open T - Slide track arm T, JT, and FT applications TH - Slide track arm T, JT, and FT applications with hold open PT86 - Stop mounted slide track arm PT86H - Stop mounted slide track arm with hold open TDE - Jamb mounted slide track arm, double egress (specify hand) TDEH - Jamb mounted slide track arm, double egress with hold open (specify hand)	8616 AF86 8616 AF86J 8616 AF86P 8616 AR 8616 ARJ 8616 ARP 8616 FH 8616 FHJ 8616 FHP 8616 PH 8616 PHP 8616 IS8 8616 ISJ 8616 SPA8 8616 SPAT8 8616 SPAK8 8616 DS8 8616 DST8 8616 DSK8 8616 T 8616 TH 8616 PT86 8616 PT86H 8616 TDE L 8616 TDEH L
Accessories	Specify the number of the accessory. See pages 22 thru 27 for accessories.	8616 TX86
Fastener Packs	TX86 - Tamper-resistant TORX screws TPK86 - Self-tapping screw pack for metal doors and frames SNB - Sex nuts (see information on page 27)	8616 TX86 8616 TPK86 8616 SNB1
Finish	See DORMA finish information in this brochure. Example: 689 = Aluminum	8616 689

Technical Drawing (Symbols and Notes)

REDUCED OPENING FORCE INSTALLATIONS CAUTION:

Manual door closers, including closers certified to conform to BHMA/ANSI Standard A156.4, when installed and adjusted to conform to ADA or other reduced opening force requirements, may not provide sufficient power to reliably close and latch a door.

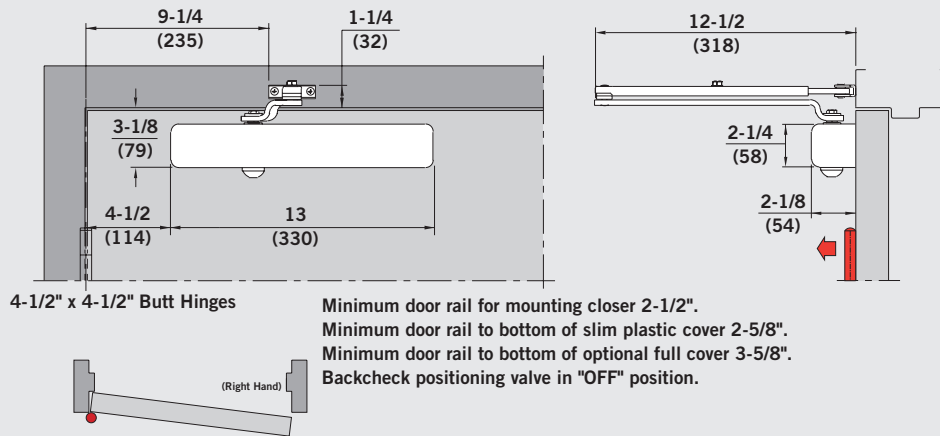
Refer to catalog for information on ED800 Low Energy Operator to meet reduced opening force requirements without affecting closing power.

NOTE: The **backcheck positioning** adjustment is specifically designed for parallel arm applications. It advances the backcheck to an approximate ANSI range similar to regular and top jamb applications. The backcheck range(s) within each parallel arm technical drawing reflect an **on** status. Regular, top jamb, and track ranges reflect an **off** status. The 8600 Series closer is shipped with the backcheck positioning valve off.

- – Recommended application
- N/A – Not applicable / application not recommended
- ♿ – Opening force 5 lb or less on interior doors; 8.5 lb or less on exterior doors where door without closer attached requires 1 lb opening force or less.

Regular x Flat Form Arm (or Round Form Arm)

8616 AF86 (Flat Form Arm – Shown)
8616 AR (Round Form Arm)



4-1/2" x 4-1/2" Butt Hinges

Minimum door rail for mounting closer 2-1/2".
Minimum door rail to bottom of slim plastic cover 2-5/8".
Minimum door rail to bottom of optional full cover 3-5/8".
Backcheck positioning valve in "OFF" position.

Size Selection Chart

CLOSER	INTERIOR/ EXTERIOR	DOOR WIDTH					
		2'-0" min.	2'-6" max.	3'-0" max.	3'-6" max.	4'-0" max.	4'-6" max.
8616	INTERIOR	•	•	♿	•	•	•
	EXTERIOR	•	•	♿	•	•	N/A

MAXIMUM OPENING	APPROX. BACKCHECK*	APPROX. DELAYED ACTION
180°	65°-180°	180°-65°

* Backcheck is advanced approximately 15° with positioning valve on.

Regular x Friction Hold Open

8616 FH

4-1/2" x 4-1/2" Butt Hinges

Minimum door rail for mounting closer 2-5/8".
 Minimum door rail to bottom of slim plastic cover 2-3/4".
 Minimum door rail to bottom of optional full cover 3-3/4".
 Backcheck positioning valve in "OFF" position.

Size Selection Chart

CLOSER	INTERIOR/ EXTERIOR	DOOR WIDTH						TEMPLATE REFERENCE	DIM "A"	DIM "B"	APPROX. MAXIMUM OPENING	APPROX. BACKCHECK*	APPROX. DELAYED ACTION	MINIMUM HOLD OPEN	MAXIMUM HOLD OPEN
		2'-0" min.	2'-6" max.	3'-0" max.	3'-6" max.	4'-0" max.	4'-6" max.								
8616	INTERIOR	•	•	⊗	•	•	•	TO 100° 7" (178)	12-3/8" (321)	110°	65°-110°	110°-65°	80°	110°	
	EXTERIOR	•	•	⊗	•	•	N/A	100°-120° 6" (152)	11-5/8" (295)	125°	70°-125°	125°-70°	90°	125°	
								OVER 120° 3-1/2" (89)	9-1/8" (232)	180°	85°-180°	180°-85°	100°	165°	

* Backcheck is advanced approximately 15° with positioning valve on.

Regular x Plunger Hold Open

8616 PH

4-1/2" x 4-1/2" Butt Hinges

Minimum door rail for mounting closer 2-1/2".
 Minimum door rail to bottom of slim plastic cover 2-5/8".
 Minimum door rail to bottom of optional full cover 3-5/8".
 Backcheck positioning valve in "OFF" position.

Size Selection Chart

CLOSER	INTERIOR/ EXTERIOR	DOOR WIDTH						MAXIMUM OPENING	APPROX. BACKCHECK*	APPROX. DELAYED ACTION	MINIMUM HOLD OPEN	MAXIMUM HOLD OPEN
		2'-0" min.	2'-6" max.	3'-0" max.	3'-6" max.	4'-0" max.	4'-6" max.					
8616	INTERIOR	•	•	⊗	•	•	•	180°	65°-180°	180°-65°	30°	140°
	EXTERIOR	•	•	⊗	•	•	N/A					

* Backcheck is advanced approximately 15° with positioning valve on.

Regular x Integra Stop Arm

8616 IS8

4-1/2" x 4-1/2" Butt Hinges

Minimum door rail for mounting closer 2-1/2".
 Minimum door rail to bottom of slim plastic cover 2-5/8".
 Minimum door rail to bottom of optional full cover 3-5/8".
 Backcheck positioning valve in "OFF" position.

Size Selection Chart

CLOSER	INTERIOR/ EXTERIOR	DOOR WIDTH					
		2'-0" min.	2'-6" max.	3'-0" max.	3'-6" max.	4'-0" max.	4'-6" max.
8616	INTERIOR	•	•	♿	•	•	•
	EXTERIOR	•	•	♿	•	•	N/A

TEMPLATE REFERENCE	DIM "A"	DIM "B"	DEAD STOP	APPROX. BACKCHECK	APPROX. DELAYED ACTION
85°	9-3/8" (238)	15-1/2" (394)	85°	55°-85°	85°-55°
90°	8-1/2" (216)	14-3/4" (375)	90°	60°-90°	90°-60°
95°	7-1/2" (190)	14-1/8" (359)	95°	65°-95°	95°-65°
100°	7-3/8" (188)	14-3/4" (375)	100°	70°-100°	100°-70°
105°	7-1/8" (181)	13-1/4" (337)	105°	75°-105°	105°-75°
110°	6-7/8" (175)	13-1/8" (333)	110°	75°-110°	110°-75°

* Backcheck is advanced approximately 15° with positioning valve on.

Regular x Round Form Arm, Narrow Profile

8616 ARNP

4-1/2" x 4-1/2" Butt Hinges

Minimum door rail for mounting closer 2-1/8".
 Minimum door rail to bottom of slim plastic cover 2-1/4".
 Minimum door rail to bottom of optional full cover 3-1/4".
 Backcheck positioning valve in "OFF" position.

Size Selection Chart

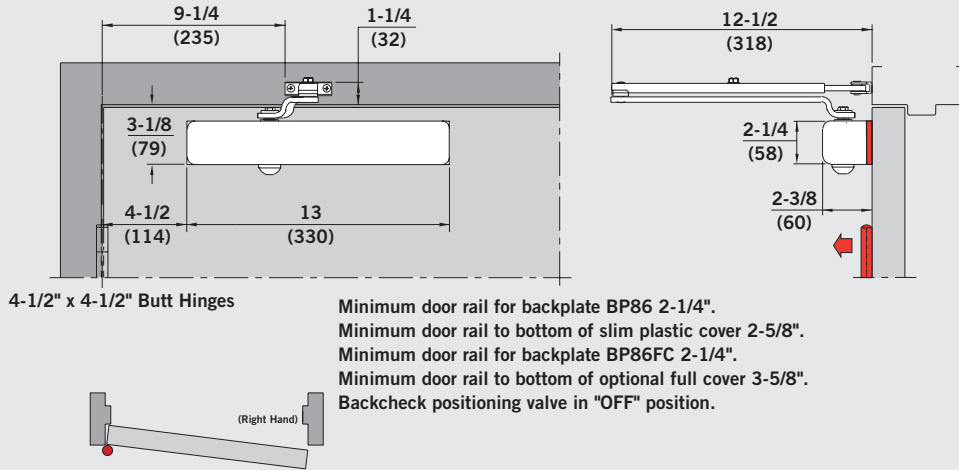
CLOSER	INTERIOR/ EXTERIOR	DOOR WIDTH					
		2'-0" min.	2'-6" max.	3'-0" max.	3'-6" max.	4'-0" max.	4'-6" max.
8616	INTERIOR	•	•	♿	•	•	•
	EXTERIOR	•	•	♿	•	•	N/A

MAXIMUM OPENING	APPROX. BACKCHECK*	APPROX. DELAYED ACTION	MINIMUM HOLD OPEN	MAXIMUM HOLD OPEN
180°	65°-80°	180°-65°	30°	140°

* Backcheck is advanced approximately 15° with positioning valve on.

Regular x Flat Form Arm (or Round Form Arm) x Backplate

8616 AF86 BP86 (Flat Form Arm – Shown)
8616 AR BP86 (Round Form Arm)



4-1/2" x 4-1/2" Butt Hinges

Minimum door rail for backplate BP86 2-1/4".
Minimum door rail to bottom of slim plastic cover 2-5/8".
Minimum door rail for backplate BP86FC 2-1/4".
Minimum door rail to bottom of optional full cover 3-5/8".
Backcheck positioning valve in "OFF" position.

Size Selection Chart

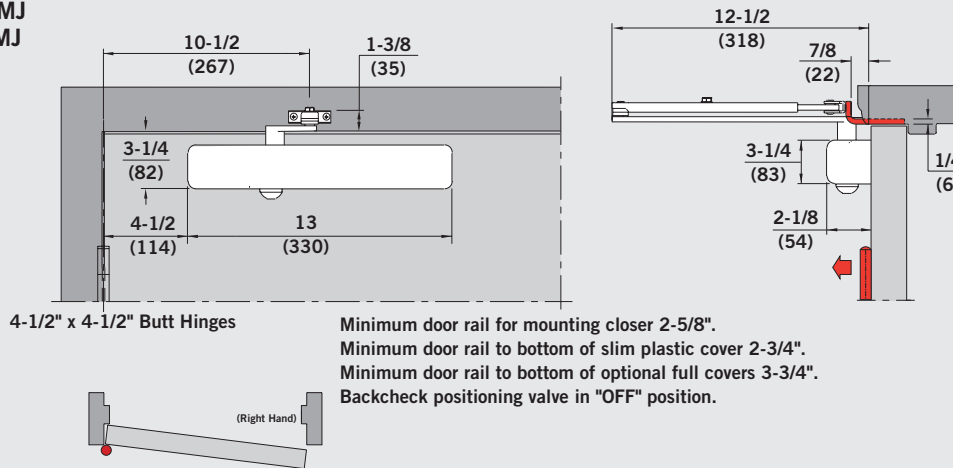
CLOSER	INTERIOR/ EXTERIOR	DOOR WIDTH					
		2'-0" min.	2'-6" max.	3'-0" max.	3'-6" max.	4'-0" max.	4'-6" max.
8616	INTERIOR	•	•	♿	•	•	•
	EXTERIOR	•	•	♿	•	•	N/A

MAXIMUM OPENING	APPROX. BACKCHECK*	APPROX. DELAYED ACTION
180°	65°-180°	180°-65°

* Backcheck is advanced approximately 15° with positioning valve on.

Regular x Mortised Jamb Bracket

8616 AF8MJ
8616 AR MJ



4-1/2" x 4-1/2" Butt Hinges

Minimum door rail for mounting closer 2-5/8".
Minimum door rail to bottom of slim plastic cover 2-3/4".
Minimum door rail to bottom of optional full covers 3-3/4".
Backcheck positioning valve in "OFF" position.

Size Selection Chart

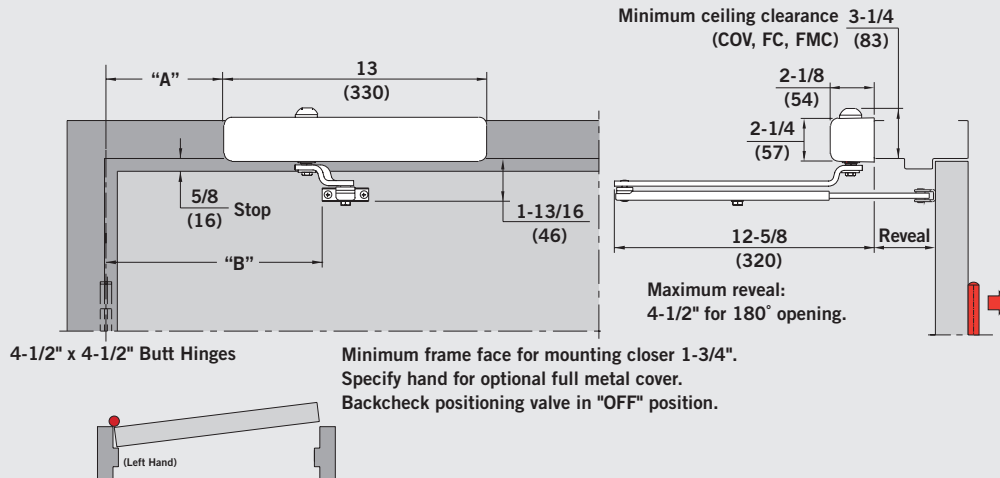
CLOSER	INTERIOR/ EXTERIOR	DOOR WIDTH					
		2'-0" min.	2'-6" max.	3'-0" max.	3'-6" max.	4'-0" max.	4'-6" max.
8616	INTERIOR	•	•	♿	•	•	•
	EXTERIOR	•	•	♿	•	•	N/A

MAXIMUM OPENING	APPROX. BACKCHECK*	APPROX. DELAYED ACTION
180°	65°-180°	180°-65°

* Backcheck is advanced approximately 15° with positioning valve on.

Top Jamb x Flat Form Arm (or Round Form Arm)

8616 AF86J (Flat Form Arm – Shown) (4" to 8" reveal)
 8616 ARJ (Round Form Arm) (4" to 8" reveal)



Size Selection Chart

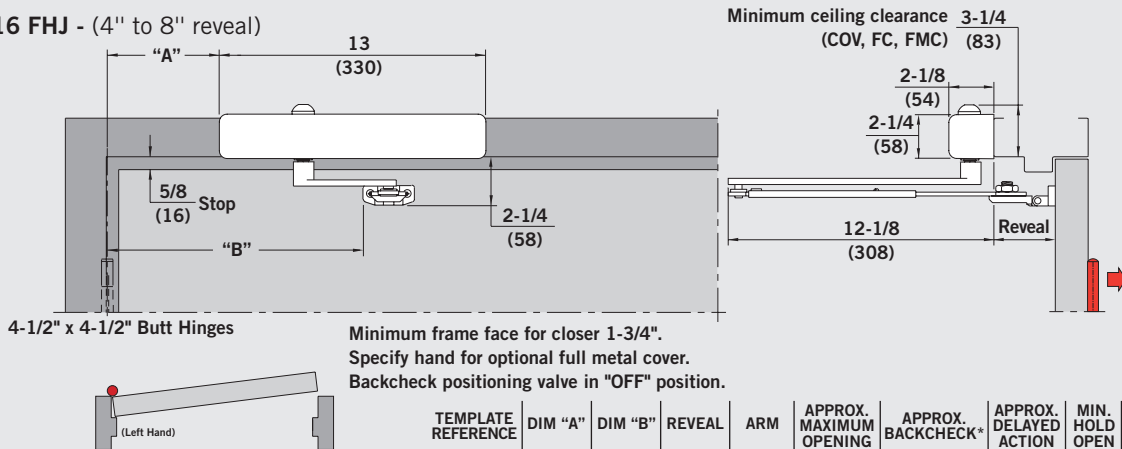
CLOSER	INTERIOR/ EXTERIOR	DOOR WIDTH					
		2'-0" min.	2'-6" max.	3'-0" max.	3'-6" max.	4'-0" max.	4'-6" max.
8616	INTERIOR	•	•	♿	•	•	•
	EXTERIOR	•	•	♿	•	•	N/A

TEMPLATE REFERENCE	DIM "A"	DIM "B"	REVEAL	ARM	APPROX. MAXIMUM OPENING	APPROX. BACKCHECK*	APPROX. DELAYED ACTION
TO 180°	4-1/2" (114)	9-1/4" (235)	0"	AF86 AR	180°	70°-180°	180°-70°
			4"	AF86 AR	180°	75°-180°	180°-75°
TO 180°	4-1/2" (114)	9-1/4" (235)	4"	AF86J ARJ	180°	75°-180°	180°-75°
			8"	AF86J ARJ	165°	80°-165°	165°-80°

* Backcheck is advanced approximately 15° with positioning valve on.
 Note: Bold type shows standard arm.

Top Jamb x Friction Hold Open

8616 FHJ - (4" to 8" reveal)



Size Selection Chart

CLOSER	INTERIOR/ EXTERIOR	DOOR WIDTH					
		2'-0" min.	2'-6" max.	3'-0" max.	3'-6" max.	4'-0" max.	4'-6" max.
8616	INTERIOR	•	•	♿	•	•	•
	EXTERIOR	•	•	♿	•	•	N/A

TEMPLATE REFERENCE	DIM "A"	DIM "B"	REVEAL	ARM	APPROX. MAXIMUM OPENING	APPROX. BACKCHECK*	APPROX. DELAYED ACTION	MIN. HOLD OPEN	MAX. HOLD OPEN
TO 100°	7-1/2" (190)	13-1/8" (333)	0"	FH	110°	70°-110°	110°-70°	70°	105°
			4"	FH	105°	75°-105°	105°-75°	70°	100°
			4"	FHJ	105°	75°-105°	105°-75°	70°	100°
TO 120°	6" (152)	11-5/8" (295)	0"	FH	125°	75°-125°	125°-75°	75°	120°
			4"	FH	120°	80°-120°	120°-80°	75°	115°
			4"	FHJ	120°	80°-120°	120°-80°	75°	115°
OVER 120°	3-1/2" (89)	9-1/8" (232)	0"	FH	180°	85°-180°	180°-85°	80°	170°
			4"	FH	180°	90°-180°	180°-90°	80°	170°
			4"	FHJ	180°	90°-180°	180°-90°	80°	170°
			8"	FHJ	165°	100°-165°	165°-100°	85°	155°

* Backcheck is advanced approximately 15° with positioning valve on.
 Note: Bold type shows standard arm.

Top Jamb x Integra Stop Arm

8616 ISJ - (4" to 6" reveal)

Minimum ceiling clearance $3\text{-}1/4$ (83) (COV, FC, FMC)

4-1/2" x 4-1/2" Butt Hinges

Minimum frame face for mounting closer 1-3/4".
Specify hand for optional full metal cover.
Backcheck positioning valve in "OFF" position.

TEMPLATE REFERENCE	DIM "A"	DIM "B"	REVEAL	ARM	DEAD STOP	APPROX. BACKCHECK*	APPROX. DELAYED ACTION
85°	8" (203)	14-3/8" (365)	0"-4" 4"-6"	IS ISJ	85° 85°	55°-85° 55°-85°	85°-55° 85°-55°
	7-3/8" (187)	13-3/4" (349)	0"-4" 4"-6"	IS ISJ	90° 90°	60°-90° 60°-90°	90°-60° 90°-60°
95°	6-7/8" (175)	13-1/4" (337)	0"-4" 4"-6"	IS ISJ	95° 95°	65°-95° 65°-95°	95°-65° 95°-65°
	6-3/8" (152)	12-3/4" (324)	0"-4" 4"-6"	IS ISJ	100° 100°	70°-100° 70°-100°	100°-70° 100°-70°
105°	6-1/8" (156)	12-1/2" (318)	0"-4" 4"-6"	IS ISJ	105° 105°	70°-105° 70°-105°	105°-70° 105°-70°
	5-7/8" (149)	12-1/4" (311)	0"-4" 4"-6"	IS ISJ	110° 110°	75°-110° 75°-110°	110°-75° 110°-75°

* Backcheck is advanced approximately 15° with positioning valve on.
Note: Bold type shows standard arm.

Size Selection Chart

CLOSER	INTERIOR/ EXTERIOR	DOOR WIDTH					
		2'-0" min.	2'-6" max.	3'-0" max.	3'-6" max.	4'-0" max.	4'-6" max.
8616	INTERIOR	•	•	⊗	•	•	•
	EXTERIOR	•	•	⊗	•	•	N/A

Top Jamb x Flat Form Arm (or Round Form Arm) x Backplate

8616 AF86J BP86 (Flat Form Arm – Shown) (4" to 8" reveal)
8616 ARJ BP86 (Round Form Arm) (4" to 8" reveal)

Minimum ceiling clearance $2\text{-}3/8$ (60) (COV, FC, FMC)

4-1/2" x 4-1/2" Butt Hinges

Minimum frame face for mounting backplates 1".
Specify hand for optional full metal cover.
Backcheck positioning valve in "OFF" position.

Maximum reveal:
4-1/2" for 180° opening.

TEMPLATE REFERENCE	DIM "A"	DIM "B"	REVEAL	ARM	APPROX. MAXIMUM OPENING	APPROX. BACKCHECK*	APPROX. DELAYED ACTION
TO 180°	4-1/2" (114)	9-1/4" (235)	0"	AF AR	180°	70°-180°	180°-60°
			4"	AF AR	180°	75°-180°	180°-70°
TO 180°	4-1/2" (114)	9-1/4" (235)	4"	AFJ ARJ	180°	75°-180°	180°-70°
			8"	AFJ ARJ	165°	80°-165°	165°-70°

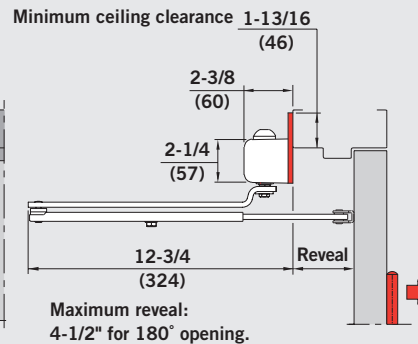
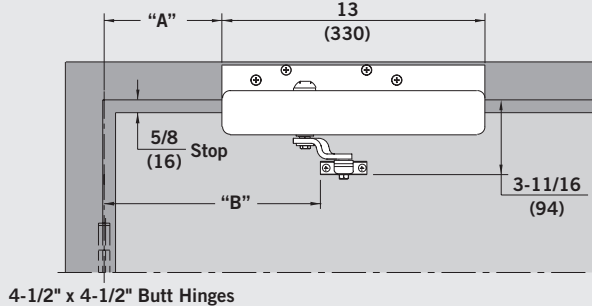
* Backcheck is advanced approximately 15° with positioning valve on.
Note: Bold type shows standard arm.

Size Selection Chart

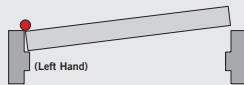
CLOSER	INTERIOR/ EXTERIOR	DOOR WIDTH					
		2'-0" min.	2'-6" max.	3'-0" max.	3'-6" max.	4'-0" max.	4'-6" max.
8616	INTERIOR	•	•	⊗	•	•	•
	EXTERIOR	•	•	⊗	•	•	N/A

Top Jamb x Flat Form Arm (or Round Form Arm) x Drop Plate

8616 AF86J DP86 (Flat Form Arm – Shown)
8616 ARJ DP86 (Round Form Arm)



4-1/2" x 4-1/2" Butt Hinges



Minimum frame face for mounting drop plates 1-3/4".
Specify hand for optional full metal cover.
Backcheck positioning valve in "OFF" position.

Size Selection Chart

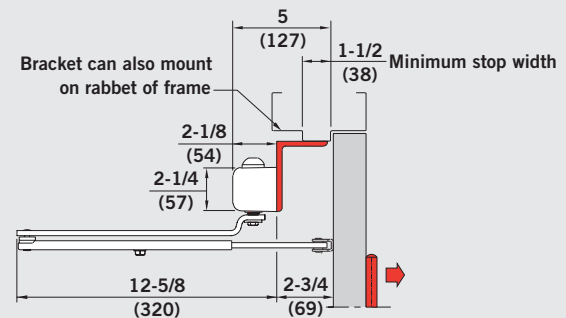
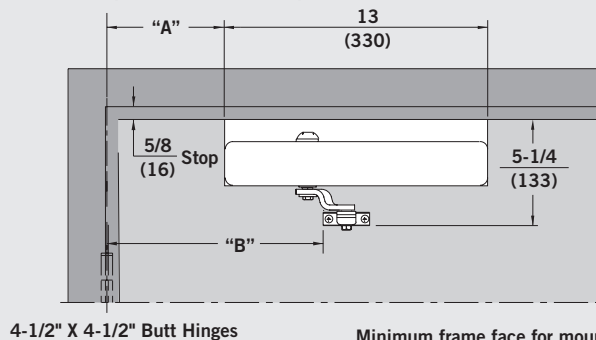
CLOSER	INTERIOR/ EXTERIOR	DOOR WIDTH					
		2'-0" min.	2'-6" max.	3'-0" max.	3'-6" max.	4'-0" max.	4'-6" max.
8616	INTERIOR	•	•	♿	•	•	•
	EXTERIOR	•	•	♿	•	•	N/A

TEMPLATE REFERENCE	DIM "A"	DIM "B"	REVEAL	ARM	APPROX. MAXIMUM OPENING	APPROX. BACKCHECK*	APPROX. DELAYED ACTION
TO 180°	4-1/2" (114)	9-1/4" (235)	0"	AF AR	180°	70°-180°	180°-60°
			4"	AF AR	180°	75°-180°	180°-70°
TO 180°	4-1/2" (114)	9-1/4" (235)	4"	AFJ ARJ	180°	75°-180°	180°-70°
			8"	AFJ ARJ	165°	80°-165°	165°-70°

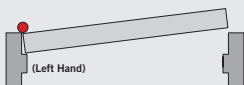
* Backcheck is advanced approximately 15° with positioning valve on.
Note: Bold type shows standard arm.

Top Jamb x Flat Form Arm (or Round Form Arm) x Angle Bracket

8616 AF86 AB86 (Flat Form Arm – Shown)
8616 AR AB86 (Round Form Arm)



4-1/2" X 4-1/2" Butt Hinges



Minimum frame face for mounting arm 5-3/4".
Specify hand for optional full metal cover.
Backcheck positioning valve in "OFF" position.

Size Selection Chart

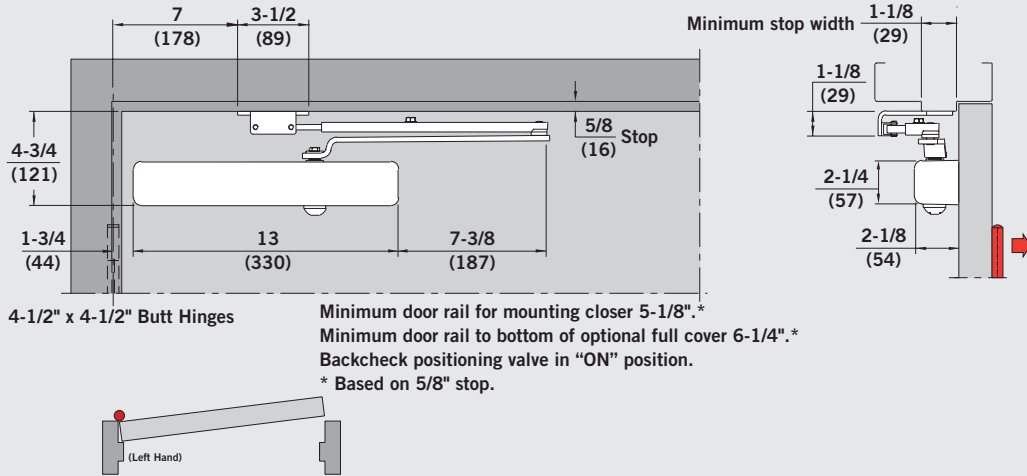
CLOSER	INTERIOR/ EXTERIOR	DOOR WIDTH					
		2'-0" min.	2'-6" max.	3'-0" max.	3'-6" max.	4'-0" max.	4'-6" max.
8616	INTERIOR	•	•	♿	•	•	•
	EXTERIOR	•	•	♿	•	•	N/A

MAXIMUM OPENING	APPROX. BACKCHECK*	APPROX. DELAYED ACTION
180°	70°-180°	180°-70°

* Backcheck is advanced approximately 15° with positioning valve on.

Parallel Arm x Flat Form Arm (or Round Form Arm)

8616 AF86P (Flat Form Arm – Shown)
 8616 ARP (Round Form Arm)
 (P86 bracket furnished standard)

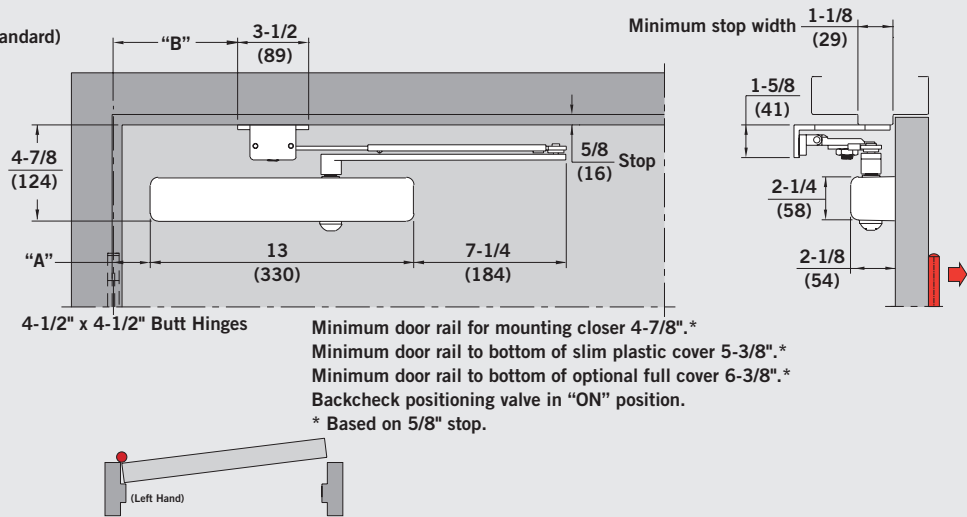


Size Selection Chart

CLOSER	INTERIOR/ EXTERIOR	DOOR WIDTH					MAXIMUM OPENING	APPROX. BACKCHECK	APPROX. DELAYED ACTION	MINIMUM DOOR WIDTH
		2'-0" min.	2'-6" max.	3'-0" max.	3'-6" max.	4'-0" max.				
8616	INTERIOR	•	•	♿	•	•	180°	60°-180°	180°-75°	24"
	EXTERIOR	•	•	♿	•	N/A				

Parallel Arm x Friction Hold Open

8616 FHP
 (PHB bracket furnished standard)



Size Selection Chart

CLOSER	INTERIOR/ EXTERIOR	DOOR WIDTH					TEMPLATE REFERENCE	DIM "A"	DIM "B"	APPROX. MAXIMUM OPENING	APPROX. BACKCHECK	APPROX. DELAYED ACTION	MIN. HOLD OPEN	MAX. HOLD OPEN	MIN. DOOR WIDTH
		2'-0" min.	2'-6" max.	3'-0" max.	3'-6" max.	4'-0" max.									
8616	INTERIOR	•	•	♿	•	•	TO 100°	3-5/8" (92)	9" (228)	110°	65°-110°	110°-80°	45°	105°	29"
	EXTERIOR	•	•	♿	•	N/A	OVER 100°	1-1/2" (38)	6-1/2" (165)	180°	80°-180°	180°-95°	45°	175°	24"

Parallel Arm x Plunger Hold Open

8616 PHP
(P86 bracket furnished standard)

Minimum stop width 1-1/8 (29)

4-7/8 (124)

1-3/4 (44)

6-7/8 (175)

3-1/2 (89)

5/8 (16) Stop

13 (330)

7-3/8 (187)

4-1/2" x 4-1/2" Butt Hinges

Minimum door rail for mounting closer 5-1/4".*
Minimum door rail to bottom of slim plastic cover 5-3/8".*
Minimum door rail to bottom of optional full cover 6-3/8".*
Backcheck positioning valve in "ON" position.
* Based on 5/8" stop.

(Left Hand)

Size Selection Chart

CLOSER	INTERIOR/ EXTERIOR	DOOR WIDTH					MAXIMUM OPENING	APPROX. BACKCHECK	APPROX. DELAYED ACTION	MINIMUM HOLD OPEN	MAXIMUM HOLD OPEN	MINIMUM DOOR WIDTH
		2'-0" min.	2'-6" max.	3'-0" max.	3'-6" max.	4'-0" max.						
8616	INTERIOR	•	•	⊗	•	•	180°	60°-180°	180°-75°	30°	130°	24"
	EXTERIOR	•	•	⊗	•	N/A						

Parallel Arm x Flat Form Arm (or Round Form Arm) x DP86 Drop Plate

8616 AF86P DP86 (Flat Form Arm – Shown)
8616 ARP DP86 (Round Form Arm)
(P86 bracket furnished standard)

Minimum stop width 1-1/8 (29)

4-3/4 (121)

1-3/4 (44)

7 (178)

3-1/2 (89)

5/8 (16) Stop

13 (330)

7-3/8 (187)

4-1/2" x 4-1/2" Butt Hinges

Minimum door rail for mounting drop plate 2-3/4".*
Minimum door rail to bottom of optional full cover 6-1/4".*
Backcheck positioning valve in "ON" position.
* Based on 5/8" stop.

(Left Hand)

Size Selection Chart

CLOSER	INTERIOR/ EXTERIOR	DOOR WIDTH					MAXIMUM OPENING	APPROX. BACKCHECK	APPROX. DELAYED ACTION	MINIMUM DOOR WIDTH
		2'-0" min.	2'-6" max.	3'-0" max.	3'-6" max.	4'-0" max.				
8616	INTERIOR	•	•	⊗	•	•	180°	60°-180°	180°-75°	24"
	EXTERIOR	•	•	⊗	•	N/A				

Parallel Arm x Flat Form Arm (or Round Form Arm) x Mortised Jamb Bracket

8616 AF8MJ (Flat Form Arm – Shown)
8616 AR MJ (Round Form Arm)

4-1/2" x 4-1/2" Butt Hinges

Minimum door rail for mounting closer 5-1/8".*
Minimum door rail to bottom of slim plastic cover 5-1/4".*
Backcheck positioning valve in "ON" position.
* Based on 5/8" stop.

(Left Hand)

Size Selection Chart

CLOSER	INTERIOR/ EXTERIOR	DOOR WIDTH					MAXIMUM OPENING	APPROX. BACKCHECK	APPROX. DELAYED ACTION	MINIMUM DOOR WIDTH
		2'-0" min.	2'-6" max.	3'-0" max.	3'-6" max.	4'-0" max.				
8616	INTERIOR	•	•	⊗	•	•	180°	60°-180°	180°-75°	24"
	EXTERIOR	•	•	⊗	•	N/A				

Parallel Arm x Flat Form Arm (or Round Form Arm) x Parallel Drop Bracket

8616 AF86 PD (Flat Form Arm – Shown)
8616 AR PD (Round Form Arm)

4-1/2" x 4-1/2" Butt Hinges

Minimum door rail for mounting closer 6-3/8".*
Minimum door rail to bottom of slim plastic cover 6-1/2".*
Backcheck positioning valve in "ON" position.
* Based on 5/8" stop.

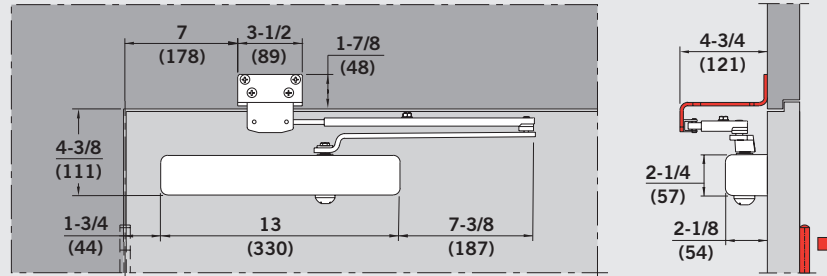
(Left Hand)

Size Selection Chart

CLOSER	INTERIOR/ EXTERIOR	DOOR WIDTH					MAXIMUM OPENING	APPROX. BACKCHECK	APPROX. DELAYED ACTION	MINIMUM DOOR WIDTH
		2'-0" min.	2'-6" max.	3'-0" max.	3'-6" max.	4'-0" max.				
8616	INTERIOR	•	•	⊗	•	•	180°	60°-180°	180°-75°	24"
	EXTERIOR	•	•	⊗	•	N/A				

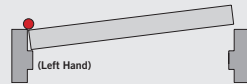
Parallel Arm x Flat Form Arm (or Round Form Arm) x Parallel Flush Transom Bracket

8616 AF86 PFT (Flat Form Arm – Shown)
8616 AR PFT (Round Form Arm)



4-1/2" x 4-1/2" Butt Hinges

Minimum door rail for mounting closer 4-1/8".
Minimum door rail to bottom of slim plastic cover 4-1/4".
Minimum door rail to bottom of optional full cover 5-1/4".
Backcheck positioning valve in "ON" position.

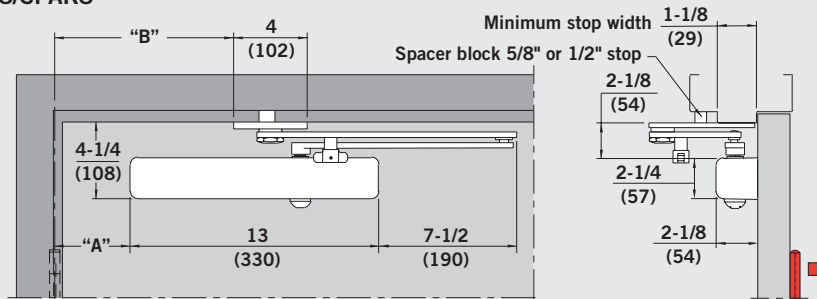


Size Selection Chart

CLOSER	INTERIOR/ EXTERIOR	DOOR WIDTH					MAXIMUM OPENING	APPROX. BACKCHECK	APPROX. DELAYED ACTION	MINIMUM DOOR WIDTH
		2'-0" min.	2'-6" max.	3'-0" max.	3'-6" max.	4'-0" max.				
8616	INTERIOR	•	•	♿	•	•	180°	60°-180°	180°-75°	24"
	EXTERIOR	•	•	♿	•	N/A				

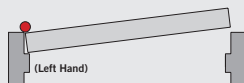
Heavy-Duty Super Parallel Arm

8616 SPA8/SPAT8/SPAK8



4-1/2" x 4-1/2" Butt Hinges

Minimum door rail for mounting closer 4-5/8".*
Minimum door rail to bottom of slim plastic cover 4-3/4".*
Minimum door rail to bottom of optional full cover 5-3/4".
Backcheck positioning valve in "ON" position.
* Based on 5/8" stop.



Size Selection Chart

CLOSER	INTERIOR/ EXTERIOR	DOOR WIDTH					ANGLE OF OPENING/ HOLD OPEN	DIM "A" CLOSER	DIM "B" SOFFIT PLATE	APPROX. MAXIMUM OPENING	APPROX. BACKCHECK	APPROX. DELAYED ACTION	MINIMUM DOOR WIDTH
		2'-0" min.	2'-6" max.	3'-0" max.	3'-6" max.	4'-0" max.							
8616	INTERIOR	•	•	♿	•	•	TO 100° H.O. 90°	4-3/8" (111)	9-3/4" (248)	100°	60°-100°	100°-75°	26"
	EXTERIOR	•	•	♿	•	N/A	TO 180° H.O. 123°	3/4" (19)	6-1/8" (155)	180°	80°-180°	180°-95°	23"

Heavy-Duty Parallel Arm Door Saver x Dead Stop

8616 DS8/DST8/DSK8

Minimum stop width 1-1/8 (29)
Spacer block 5/8\" or 1/2\" stop

4-1/2\" x 4-1/2\" Butt Hinges

4-1/2\" x 4-1/2\" Butt Hinges

Minimum door rail for mounting closer 4-5/8\".*
Minimum door rail to bottom of slim plastic cover 4-3/4\".*
Minimum door rail to bottom of optional full cover 5-3/4\".*
Backcheck positioning valve in "ON" position.
* Based on 5/8\" stop.

(Left Hand)

CLOSER		DOOR WIDTH					TEMPLATE REFERENCE	DIM "A" CLOSER	DIM "B" SOFFIT PLATE	* DEAD STOP/HOLD OPEN	APPROX. BACKCHECK	APPROX. DELAYED ACTION	MINIMUM DOOR WIDTH
INTERIOR/EXTERIOR		2'-0" min.	2'-6" max.	3'-0" max.	3'-6" max.	4'-0" max.							
8616	INTERIOR	•	•	♿	•	•	85°	4-5/8" (117)	10-5/8" (270)	85°	50°-85°	85°-65°	26"
	EXTERIOR	•	•	♿	•	N/A	90°	3-7/8" (98)	9-3/4" (248)	90°	55°-90°	90°-70°	25"
	INTERIOR	•	•	♿	•	•	100°	2-5/8" (67)	8-5/8" (219)	100°	60°-100°	100°-75°	24"
	EXTERIOR	•	•	♿	•	N/A	110°	1-1/2" (38)	7-1/2" (191)	110°	65°-110°	110°-80°	23"

* Hold Open is approximately 1°- 2° less than the dead stop angle listed in the chart.

Heavy-Duty Super Parallel Arm x Narrow Frame Bracket

8616 SPA8/SPAT8/SPAK8 NFHD

Minimum stop width 1-1/8 (29)

4-1/2\" x 4-1/2\" Butt Hinges

4-1/2\" x 4-1/2\" Butt Hinges

Minimum door rail for mounting closer 4-5/8\".*
Minimum door rail to bottom of slim plastic cover 4-3/4\".*
Minimum door rail to bottom of optional full cover 5-3/4\".*
Backcheck positioning valve in "ON" position.
* Based on 5/8\" stop.

(Left Hand)

CLOSER		DOOR WIDTH					ANGLE OF OPENING/HOLD OPEN	DIM "A" CLOSER	DIM "B" SOFFIT PLATE	DIM "C" (NFHD) BRACKET	APPROX. MAXIMUM OPENING	APPROX. BACKCHECK	APPROX. DELAYED ACTION	MINIMUM DOOR WIDTH
INTERIOR/EXTERIOR		2'-0" min.	2'-6" max.	3'-0" max.	3'-6" max.	4'-0" max.								
8616	INTERIOR	•	•	♿	•	•	TO 100°	4-3/8" (111)	9-3/4" (248)	10-5/8" (270)	100°	60°-100°	100°-75°	26"
	EXTERIOR	•	•	♿	•	N/A	H.O. 90°	3/4" (19)	6-1/8" (155)	7" (178)	180°	80°-180°	180°-95°	23"
	EXTERIOR	•	•	♿	•	N/A	TO 180°							

Heavy-Duty Parallel Arm Door Saver x Dead Stop x Narrow Frame Bracket

8616 DS8/DST8/DSK8 NFHD

4-1/2" x 4-1/2" Butt Hinges

Minimum door rail for mounting closer 4-5/8".*
 Minimum door rail to bottom of slim plastic cover 4-3/4".*
 Minimum door rail to bottom of optional full cover 5-3/4".*
 Backcheck positioning valve in "ON" position.
 * Based on 5/8" stop.

Size Selection Chart

CLOSER	INTERIOR/ EXTERIOR	DOOR WIDTH					APPROX. BACKCHECK	APPROX. DELAYED ACTION	MINIMUM DOOR WIDTH			
		2'-0" min.	2'-6" max.	3'-0" max.	3'-6" max.	4'-0" max.						
8616	INTERIOR	•	•	♿	•	•	85°	50°-85°	85°-65°			
	EXTERIOR	•	•	♿	•	N/A						
	INTERIOR	•	•	♿	•	•				90°	55°-90°	90°-70°
	EXTERIOR	•	•	♿	•	N/A						
	INTERIOR	•	•	♿	•	•	100°	60°-100°	100°-75°			
	EXTERIOR	•	•	♿	•	N/A						
	INTERIOR	•	•	♿	•	•	110°	65°-110°	110°-80°			
	EXTERIOR	•	•	♿	•	N/A						

* Hold open is approximately 1°-2° less than the dead stop angle listed in the chart.

Heavy-Duty Super Parallel Arm x Blade Stop Spacer

8616 SPA8/SPAT8/SPA8 BSHD

4-1/2" x 4-1/2" Butt Hinges

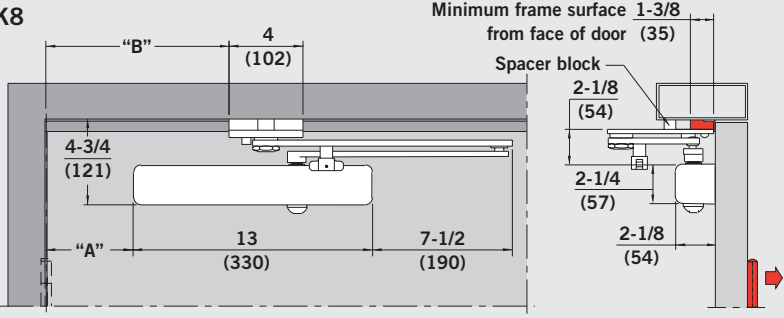
Minimum door rail for mounting closer 4-1/2".*
 Minimum door rail to bottom of slim plastic cover 4-5/8".*
 Minimum door rail to bottom of optional full cover 5-5/8".*
 Backcheck positioning valve in "ON" position.
 * Based on 1/2" stop.

Size Selection Chart

CLOSER	INTERIOR/ EXTERIOR	DOOR WIDTH					APPROX. MAXIMUM OPENING	APPROX. BACKCHECK	APPROX. DELAYED ACTION	MINIMUM DOOR WIDTH				
		2'-0" min.	2'-6" max.	3'-0" max.	3'-6" max.	4'-0" max.								
8616	INTERIOR	•	•	♿	•	•	TO 100° H.O. 90°	60°-100°	100°-75°	26"				
	EXTERIOR	•	•	♿	•	N/A								
	INTERIOR	•	•	♿	•	•					TO 180° H.O. 123°	80°-180°	180°-95°	23"
	EXTERIOR	•	•	♿	•	N/A								

Heavy-Duty Parallel Arm Door Saver x Dead Stop x Blade Stop Spacer

8616 DS8/DST8/DSK8 BSHD



Minimum frame surface 1-3/8 (35) from face of door

Spacer block 2-1/8 (54)

4-1/2" x 4-1/2" Butt Hinges

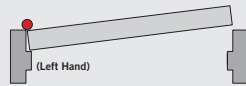
Minimum door rail for mounting closer 4-1/2".*

Minimum door rail to bottom of slim plastic cover 4-5/8".*

Minimum door rail to bottom of optional full cover 5-5/8".*

Backcheck positioning valve in "ON" position.

* Based on 1/2" stop.

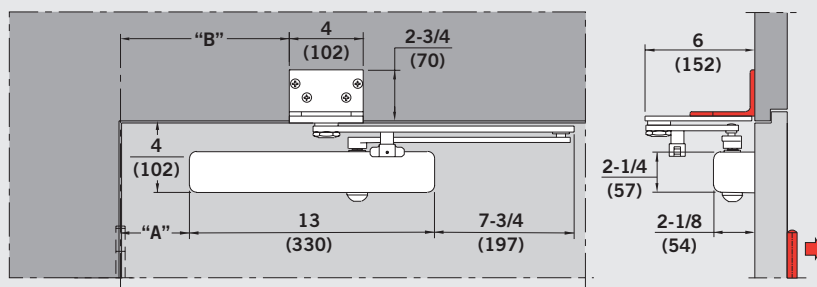


CLOSER	INTERIOR/ EXTERIOR	DOOR WIDTH					ANGLE OF HOLD OPEN	APPROX. BACKCHECK	APPROX. DELAYED ACTION	MINIMUM DOOR WIDTH
		2'-0" min.	2'-6" max.	3'-0" max.	3'-6" max.	4'-0" max.				
8616	INTERIOR	•	•	♿	•	•	85°	50°-85°	85°-65°	26"
	EXTERIOR	•	•	♿	•	N/A	90°	55°-90°	90°-70°	25"
							100°	60°-100°	100°-75°	24"
							110°	65°-110°	110°-80°	23"

* Hold Open is approximately 1°-2° less than the dead stop angle listed in the chart.

Heavy-Duty Super Parallel Arm x Flush Transom Bracket

8616 SPA8/SPAT8/SPAK8 FTHD



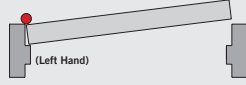
4-1/2" x 4-1/2" Butt Hinges

Minimum door rail for mounting closer 3-3/4".*

Minimum door rail to bottom of slim plastic cover 3-7/8".*

Backcheck positioning valve in "ON" position.

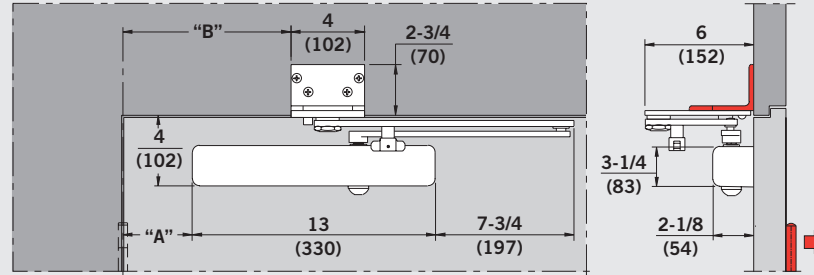
* Based on 5/8" stop.



CLOSER	INTERIOR/ EXTERIOR	DOOR WIDTH					ANGLE OF OPENING/ HOLD OPEN	APPROX. MAXIMUM OPENING	APPROX. BACKCHECK	APPROX. DELAYED ACTION	MINIMUM DOOR WIDTH		
		2'-0" min.	2'-6" max.	3'-0" max.	3'-6" max.	4'-0" max.							
8616	INTERIOR	•	•	♿	•	•	TO 100° H.O. 90°	4-3/8" (111)	9-3/4" (248)	100°	60°-100°	100°-75°	26"
	EXTERIOR	•	•	♿	•	N/A	TO 180° H.O. 123°	3/4" (19)	6-1/8" (155)	180°	80°-180°	180°-95°	23"

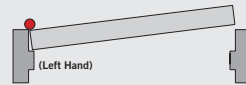
Heavy-Duty Parallel Arm Door Saver x Dead Stop x Flush Transom Bracket

8616 DS8/DST8/DSK8
FTHD



4-1/2" x 4-1/2" Butt Hinges

Minimum door rail for mounting closer 3-3/4".*
Minimum door rail to bottom of slim plastic cover 3-7/8".*
Backcheck positioning valve in "ON" position.
* Based on 5/8" stop.



Size Selection Chart

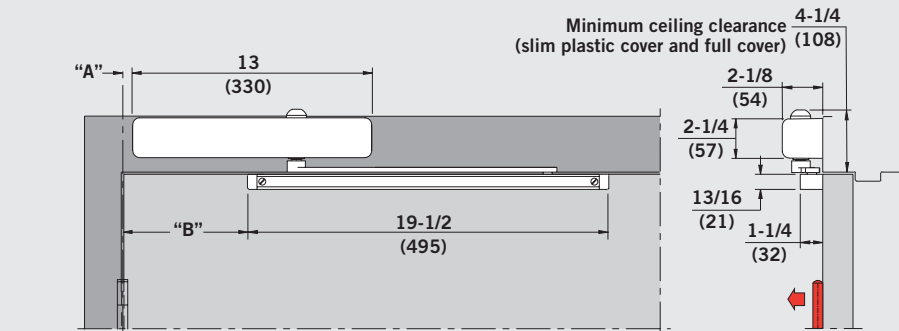
CLOSER	INTERIOR/ EXTERIOR	DOOR WIDTH			
		2'-0" min.	2'-6" max.	3'-0" max.	3'-6" max.
8616	INTERIOR	•	•	⊗	•
	EXTERIOR	•	•	⊗	N/A

TEMPLATE REFERENCE	DIM "A" CLOSER	DIM "B" (FT102) BRACKET	* DEAD STOP/ HOLD OPEN	APPROX. BACKCHECK	APPROX. DELAYED ACTION	MINIMUM DOOR WIDTH
85°	4-5/8" (117)	10-5/8" (270)	85°	50°-85°	85°-65°	26"
90°	3-7/8" (98)	9-3/4" (248)	90°	55°-90°	90°-70°	25"
100°	2-5/8" (67)	8-5/8" (219)	100°	60°-100°	100°-75°	24"
110°	1-1/2" (38)	7-1/2" (191)	110°	65°-110°	110°-80°	23"

* Hold Open is approximately 1°-2° less than the dead stop angle listed in the chart.

Track - Pull Side Door Mounted

8616 T
8616 TH



4-1/2" x 4-1/2" Butt Hinges

Minimum ceiling clearance 4-1/4" (108)
(slim plastic cover and full cover)
Minimum frame face for closer 4".
Optional BP86TFC plate required for full cover.
Specify hand.
Backcheck positioning valve in "OFF" position.



Size Selection Chart

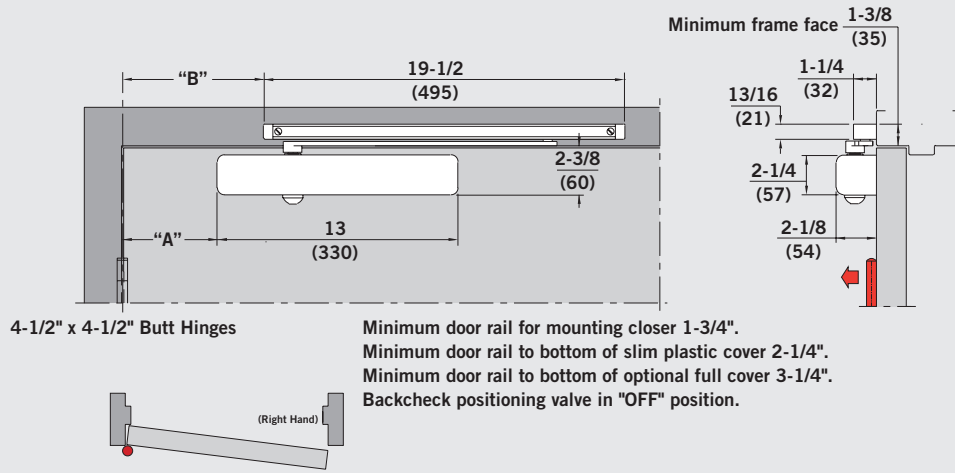
CLOSER	INTERIOR/ EXTERIOR	DOOR WIDTH			
		2'-0" min.	2'-6" max.	3'-0" max.	3'-6" max.
8616	INTERIOR	•	•	⊗	•
	EXTERIOR	•	•	⊗	N/A

TEMPLATE REFERENCE	DIM "A"	DIM "B"	DEAD STOP	MAXIMUM HOLD OPEN	APPROX. BACKCHECK*	APPROX. DELAYED ACTION	MINIMUM DOOR WIDTH
85°	1-1/4" (32)	9-7/8" (251)	85°	83°	65°-85°	85°-65°	31"
90°	1-1/4" (32)	8-7/8" (225)	90°	88°	65°-90°	90°-65°	30"
110°	0 (0)	7" (178)	110°	108°	70°-110°	110°-70°	27"
180°	-1/2" (-13)	4-3/8" (111)	180°	160°	80°-180°	180°-80°	25"

* Backcheck is advanced approximately 15° with positioning valve on.

Jamb Track - Pull Side Frame Mounted

8616 JT
8616 JTH



4-1/2" x 4-1/2" Butt Hinges

Minimum door rail for mounting closer 1-3/4".
Minimum door rail to bottom of slim plastic cover 2-1/4".
Minimum door rail to bottom of optional full cover 3-1/4".
Backcheck positioning valve in "OFF" position.

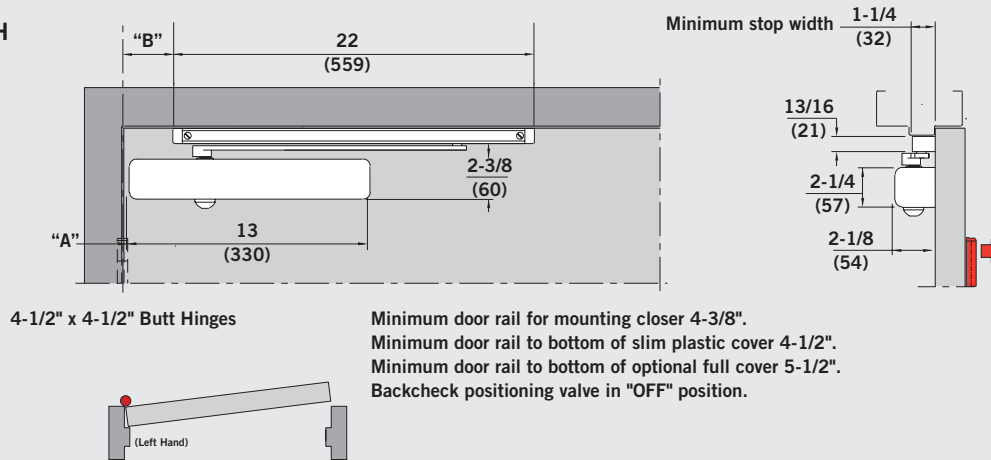
Size Selection Chart

CLOSER	INTERIOR/ EXTERIOR	DOOR WIDTH				TEMPLATE REFERENCE	DIM "A"	DIM "B"	DEAD STOP	MAXIMUM HOLD OPEN	APPROX. BACKCHECK*	APPROX. DELAYED ACTION	MINIMUM DOOR WIDTH
		2'-0" min.	2'-6" max.	3'-0" max.	3'-6" max.								
8616	INTERIOR	•	•	⊘	•	85°	5-7/8" (149)	8-1/2" (216)	85°	80°	60°-85°	85°-60°	31"
	EXTERIOR	•	•	⊘	N/A	90°	5-3/8" (136)	8" (203)	90°	85°	65°-90°	90°-65°	30"
						110°	4-1/8" (105)	6-1/4" (159)	110°	100°	80°-110°	110°-80°	28"
						175°	3-5/8" (92)	4-1/4" (108)	175°	145°	95°-180°	175°-95°	25"

* Backcheck is advanced approximately 15° with positioning valve on.

Push Track - Push Side Soffit Mounted

8616 PT86
8616 PT86H



4-1/2" x 4-1/2" Butt Hinges

Minimum door rail for mounting closer 4-3/8".
Minimum door rail to bottom of slim plastic cover 4-1/2".
Minimum door rail to bottom of optional full cover 5-1/2".
Backcheck positioning valve in "OFF" position.

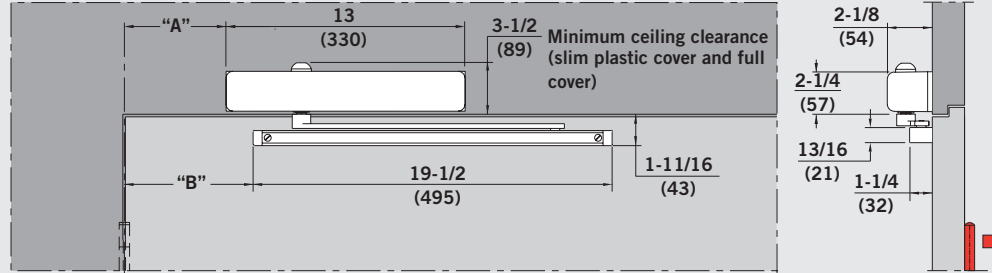
Size Selection Chart

CLOSER	INTERIOR/ EXTERIOR	DOOR WIDTH				TEMPLATE REFERENCE	DIM "A"	DIM "B"	DEAD STOP	MAXIMUM HOLD OPEN	APPROX. BACKCHECK*	APPROX. DELAYED ACTION	MINIMUM DOOR WIDTH
		2'-6" min.	3'-0" max.	3'-6" max.									
8616	INTERIOR	•	⊘	•		85°	1-3/8" (35)	9" (228)	85°	82°	65°-85°	85°-65°	32"
	EXTERIOR	•	⊘	N/A		90°	1-3/8" (35)	7-3/8" (187)	90°	87°	65°-90°	90°-65°	30"
						100°	1-3/8 (35)	5-3/8 (136)	100°	97°	65°-100°	100°-65°	28"

* Backcheck is advanced approximately 15° with positioning valve on.

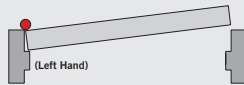
Flush Track - Push Side Door Mounted x Backplate

8616 FT BP86T
8616 FTH BP86T



4-1/2" x 4-1/2" Butt Hinges

Minimum transom surface for BP86T or optional plates 1-15/16".
Optional BP86FTFC plate required for full cover.
Specify hand for optional full cover.
Backcheck positioning valve in "OFF" position.



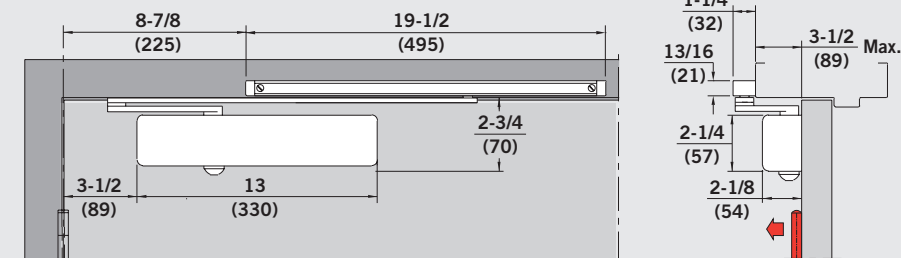
Size Selection Chart

CLOSER	INTERIOR/ EXTERIOR	DOOR WIDTH				TEMPLATE REFERENCE	DIM "A"	DIM "B"	DEAD STOP	MAXIMUM HOLD OPEN	APPROX. BACKCHECK*	APPROX. DELAYED ACTION	MINIMUM DOOR WIDTH
		2'-0" min.	2'-6" max.	3'-0" max.	3'-6" max.								
8616	INTERIOR	•	•	♿	•	85°	4-7/8" (124)	6-7/8" (175)	85°	82°	60°-85°	85°-60°	29"
	EXTERIOR	•	•	♿	N/A	90°	4-3/8" (111)	6-5/8" (168)	90°	87°	65°-90°	90°-65°	28"
						110°	3-3/8" (86)	5-1/4" (133)	110°	105°	75°-110°	110°-75°	26"
						135°	2-3/8" (60)	4-1/2" (114)	135°	125°	85°-135°	135°-85°	25"

* Backcheck is advanced approximately 15° with positioning valve on.

Track Double Egress - Pull Side Frame Mounted

8616 TDE
8616 TDEH



4-1/2" x 4-1/2" Butt Hinges

Minimum door rail for mounting closer 2-1/2".
Minimum door rail to bottom of slim plastic cover 3".
Arm requires a minimum 3-3/4" clearance between door face
and wall when opening 90° and greater.
Backcheck positioning valve in "OFF" position.

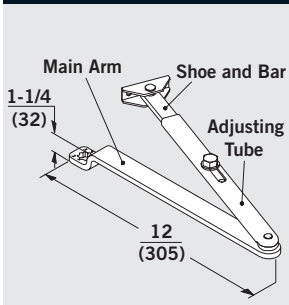


Size Selection Chart

CLOSER	INTERIOR/ EXTERIOR	DOOR WIDTH				TEMPLATE REFERENCE	DEAD STOP	MAXIMUM HOLD OPEN	APPROX. BACKCHECK*	APPROX. DELAYED ACTION	MINIMUM DOOR WIDTH
		2'-6" min.	3'-0" max.	3'-6" max.							
8616	INTERIOR	•	♿	•	125°	125°	110°	70°-125°	125°-70°	30"	
	EXTERIOR	•	♿	N/A							

* Backcheck is advanced approximately 15° with positioning valve on.

Flat Form Arm



Standard flat form arm for 8600 Series closers. Arm is non-handed.

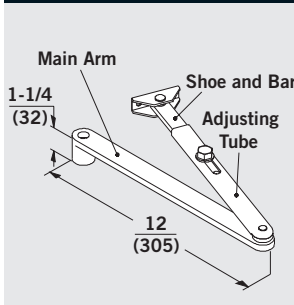
AF86 — Flat form complete arm for regular, top jamb (0"–4" [0 mm–102 mm] reveal) and parallel arm.

AF86J — Flat form arm complete for top jamb (4"–8" [102 mm–203 mm] reveal).

AF86P — Parallel flat form complete (Tri-Pack) (0"–4" [0 mm–102 mm] reveal). P86 included.

AMF86 — Regular flat form main arm and adjusting tube.

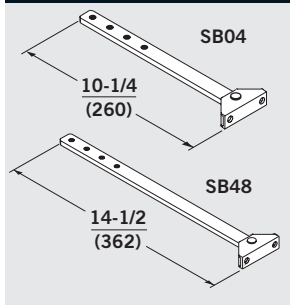
Flat Form Arm for MJ



AF8MJ — Regular flat form arm complete for use with MJ (mortise jamb) bracket. MJ bracket ordered separately.

MJ bracket ordered separately.

Flat Form Arm Shoe and Bar

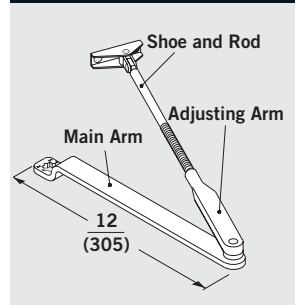


SB04 — 0"–4" (0 mm–102 mm) reveal. Shoe and bar only.

SB48 — 4"–8" (102 mm–203 mm) reveal. Shoe and bar only.

SB04 and SB48 must be used in conjunction with AMF86. Non-handed.

Round Form Arm (8 mm rod)

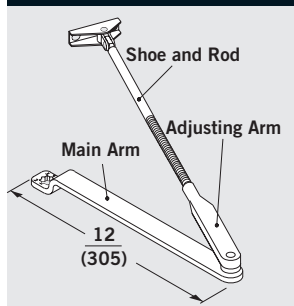


AR — Complete Arm Assembly (0"–4" [0 mm–102 mm] reveal) with 8 mm rod. Optional arm with 8600 Series closers. Arm is non-handed.

ARP — Parallel round form arm complete (Tri-Pack) (0"–4" [0 mm–102 mm] reveal). P86 included.

AMR04 — Regular non-hold open main arm and adjusting arm. Accepts 8 mm rod.

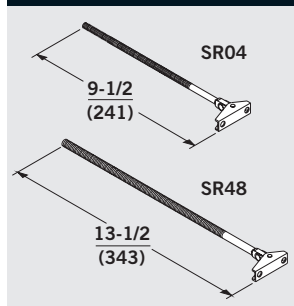
Round Form Arm (10 mm rod)



ARJ — Complete Arm Assembly (4"–8" [102 mm–203 mm] reveal) with (10 mm) rod. Designed specifically for top jamb applications with deeper reveals. Arm is non-handed.

AMR48 — Regular non-hold open main arm and adjusting arm. Accepts 10 mm rod.

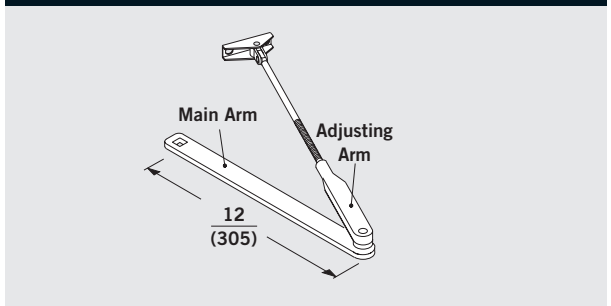
Regular Arm Shoe and Rod



SR04 (8 mm Rod Diameter) (0"–4" [0 mm–102 mm] reveal). Shoe and rod only.

SR48 (10mm Rod Diameter) (4"–8" [102 mm–203 mm] reveal). Shoe and rod only. SR04 has an 8 mm rod and must be used in conjunction with main arm and adjusting arm AMR04. The SR48 has a 10 mm rod and must be used with main arm and adjusting arm AMR48. Non-handed.

Narrow Profile Arm (8 mm)

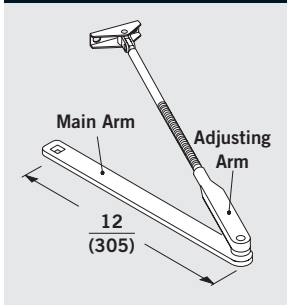


ARNP — Complete arm assembly. Regular or top jamb mount. Permits installation on 1" (25 mm) frame face for regular mount with maximum pull-side reveal of 1/8" (3 mm) or less. Can also be used top jamb (0"–4" [0 mm–102 mm] reveal) for narrow top door rails. Arm is non-handed.

ARNPP — Complete arm assembly for parallel arm mount (Tri-Pack). (0"–4" [0 mm–102 mm] reveal). P86 included.

AMR04NP — Narrow profile main arm and adjusting arm. Used in conjunction with SR04 shoe and rod. Uses 8 mm rod.

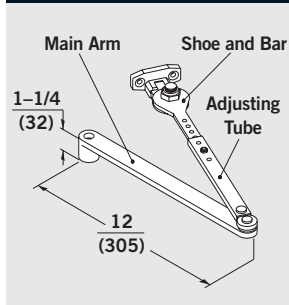
Narrow Profile Arm (10 mm)



ARNPJ — Complete arm assembly for top jamb installations (4"–8" [102 mm–203 mm] reveal) for narrow top door rails. Arm is non-handed.

AMR48NP — Narrow profile main arm and adjusting arm. Used in conjunction with SR48 shoe and rod. Uses 10 mm rod.

Friction Hold Open Arm



Provides a hold open function between approximately 90° and 180° of door opening (conditions permitting). Arm is non-handed.

FH — Friction hold open arm complete (0"–4" [0 mm–102 mm] reveal).

FHJ — Friction hold open arm complete (4"–8" [102 mm–203 mm] reveal).

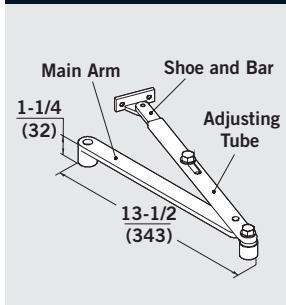
FHP — Friction hold open arm complete (Tri-Pack) (0"–4" [0 mm–102 mm] reveal). PHB included.

FHM04 — Friction hold open main arm and adjusting tube (0"–4" [0 mm–102 mm] reveal).

FHM48 — Friction hold open main arm and adjusting tube (4"–8" [102 mm–203 mm] reveal).

FHSB — Friction hold open shoe and bar.

Integra Stop Arm



Provides a dead stop function for regular and top jamb applications at 85°, 90°, 95°, 100°, 105°, and 110°. Arm is non-handed.

IS8 — Dead stop arm complete (0"–4" [0 mm–102 mm] reveal).

ISJ — Top jamb dead stop arm complete (4"–6" [102 mm–152 mm] reveal).

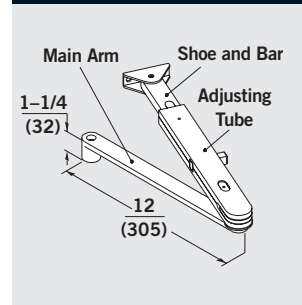
ISM8 — Main arm and adjusting tube.

ISSB04 — Shoe and bar (0"–4" [0 mm–102 mm]).

ISSB46 — Shoe and bar (4"–6" [102 mm–152 mm]).

BUMPERIS — Integra stop bumper only.

Plunger Hold Open Arm



Provides a hold open function at a selected point within a range from approximately 30°–150° (conditions and installation applications permitting). Ideal for doors frequently placed in and out of hold open. Arm is non-handed.

PH — Plunger hold open arm complete regular or top jamb mount (0"–1-1/2" [0 mm–38 mm] reveal).

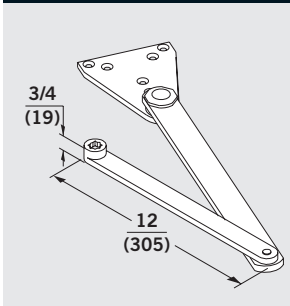
PHP — Plunger hold open arm complete parallel arm or top jamb mount (1-1/2"–3-1/2" [38 mm–89 mm] reveal).

PHM — Plunger hold open main arm and adjusting tube.

PHSB — Plunger hold open shoe and bar regular and top jamb mount (0"–1-1/2" [0 mm–38 mm] reveal).

PHSBP — Plunger hold open shoe and bar parallel arm or top jamb mount (1-1/2"–3-1/2" [38 mm to 89 mm] reveal).

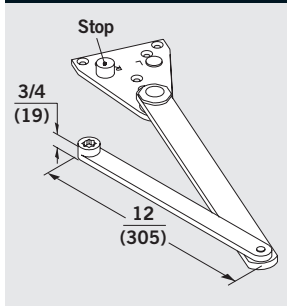
Super Parallel Arm



Heavy-duty parallel arm. Available in non-hold open, thumb turn hold open, and hex key turn hold open. Units can be installed for maximum opening of 100° or 180°. Hold open units will hold open at 90° or 125°. Maximum opening is 180° (conditions permitting). Arm is non-handed. Non-hold open arm illustrated.

- SPA8** — Non-hold open.
- SPAT8** — Thumb turn hold open.
- SPAK8** — Hex key turn hold open.

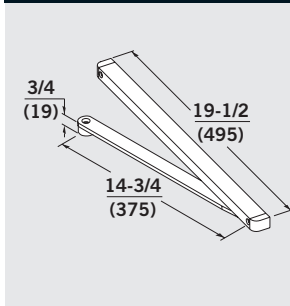
Door Saver Arm



Heavy-duty parallel arm with integral dead stop function. Available in non-hold open, thumb turn hold open, and hex key turn hold open. Units can be installed to achieve either stop or stop and hold open at 85°, 90°, 100°, and 110°. Maximum opening is 110° (conditions permitting). Arm is non-handed. Non-hold open arm illustrated.

- DS8** — Dead stop only.
- DST8** — Dead stop and thumb turn hold open.
- DSK8** — Dead stop and hex key turn hold open.
- BUMPERDS-** Door saver bumper.

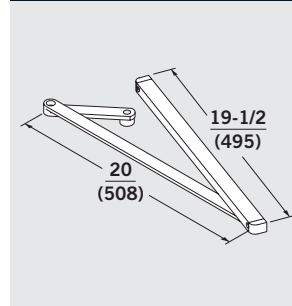
Track Arm



Provides slide track function for improved aesthetics and vandal resistance. Units can be installed to provide 85°, 90°, 110°, or 180° of door opening (conditions and application permitting). Arm is non-handed.

- T** — Track arm complete. Can be used on pull-side T applications (closer on door, track on frame) and JT applications (track on frame, closer on door). Can also be used with FT flush transom applications (closer on transom, track on door).
- TH** — Track hold open arm complete. Can be used in same applications as T arm. Range of hold open and maximum opening varies with mounting application.

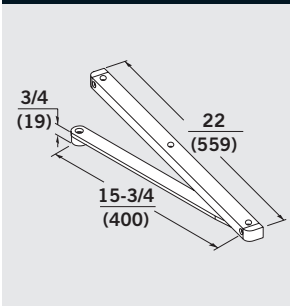
TDE Track Arm



Provides slide track function for pull-side reveal conditions up to 3-1/2". Provides 125° of door opening (conditions permitting). Arm is handed. Also available with hold open option to provide selective single point hold open between 30° and 110°. Arm requires a minimum 3-3/4" clearance between door face and wall when opened 90° and greater.

- TDE** — Double egress track arm complete.
- TDEH** — Double egress hold open track arm complete.

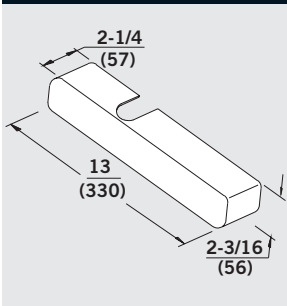
Push Side Track Arm



PT86 — Push-side track arm complete. Used with PT track applications (closer on door, track on soffit).

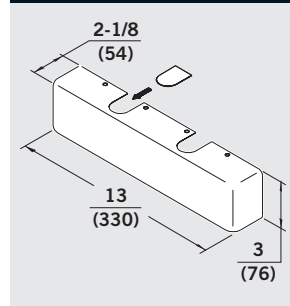
PT86H — Push-side track hold open arm complete. Used with PT track applications (closer on door, track on soffit).

Slim Plastic Cover



COV — Slim plastic cover furnished standard with 8600 Series closers.

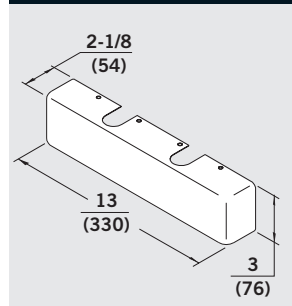
Full Plastic Cover



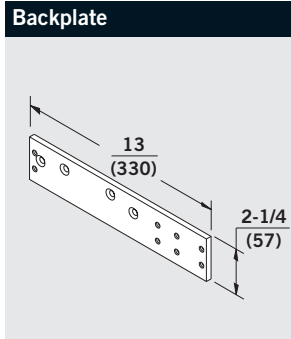
FC — Full plastic cover with interchangeable tab.

FCSL — Full plastic slotted cover with interchangeable tab. Mounting holes slotted for low ceiling conditions.

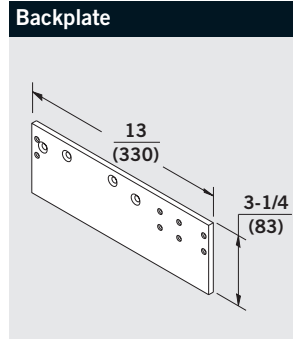
Full Metal Cover



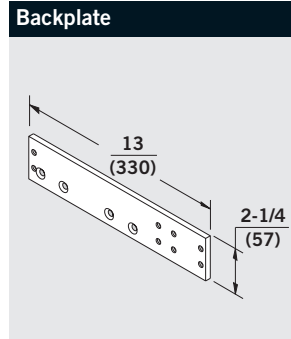
FMC — Full metal cover. Specify hand for top jamb, T track, and FT track applications.



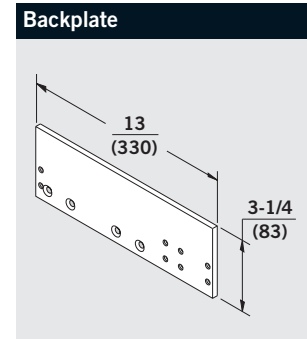
BP86 — For top jamb mount of 8600 Series closers when overhead ceiling clearance is less than 2-1/4" (57 mm) or for regular mount to clear a mortised stop/holder.



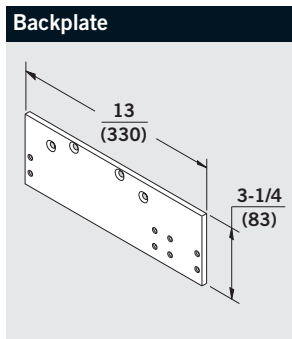
BP86FC — For top jamb mount with a full cover when overhead ceiling clearance is less than 2-1/4" (57 mm) or for regular mount to clear a mortised stop/holder.



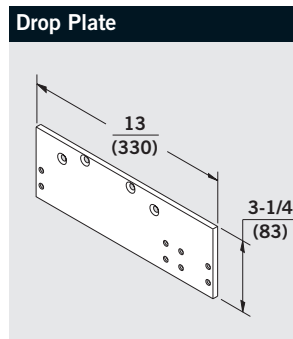
BP86T — For use with pull-side track applications (closer on frame face, track on door) to permit installation on a standard 2" (51 mm) frame face.



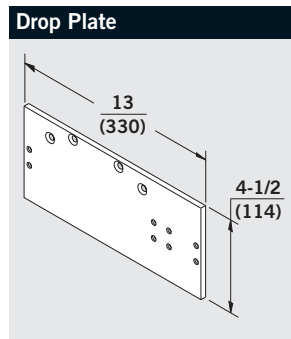
BP86TFC — For use with pull-side track applications with full cover (closer on frame face, track on door) to permit installation on a standard 2" (51 mm) frame face.



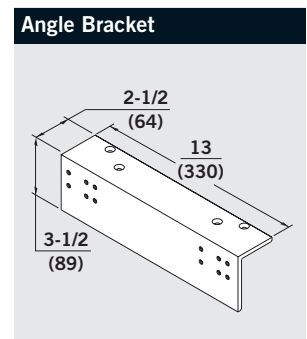
BP86FTFC — Required for track mount with full cover when being used on a flush transom (closer on transom, track on door). Mounting holes in the plate avoid rabbet on door.



DP86 — For top jamb mount of 8600 Series closers with COV, FC, FCSL, or FMC when overhead ceiling clearance is less than 1-7/8" (48 mm) or to provide clearance for a surface-applied stop/holder. Permits parallel arm installation with a minimum top door rail of 2-1/2" (64 mm) for non-hold open, 2-5/8" (67 mm) for friction, fusible link and plunger hold open applications (assuming 5/8" [16 mm] stop dimension).



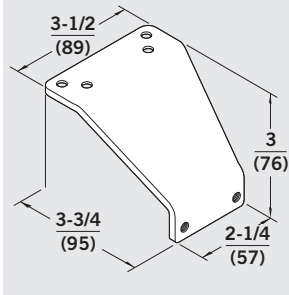
DP86FC — Permits parallel arm installation with minimum top door rail of 2-1/2" (64 mm) for non-hold open, 2-5/8" (67 mm) for friction, fusible link, and plunger hold open applications (assuming 5/8" [16 mm] stop dimension).



AB86 — For installation of 8600 Series closers where parallel arm and top jamb applications are not practical due to low overhead ceiling clearance, narrow frame face, or unusual trim conditions. This bracket can also be used to provide clearance for a surface-applied stop/holder.

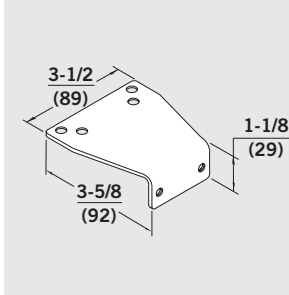
*Overhead ceiling clearance is measured from bottom of frame face to ceiling.

Parallel Drop Bracket



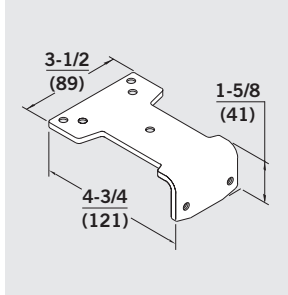
PD — For 8600 Series closer non-hold open parallel arm applications to clear a surface-applied stop/holder.

Parallel Arm Bracket



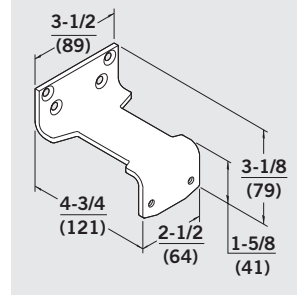
P86 — Furnished standard with 8600 Series closer non-hold open and plunger hold open parallel arm applications.

Parallel Hold Open Bracket



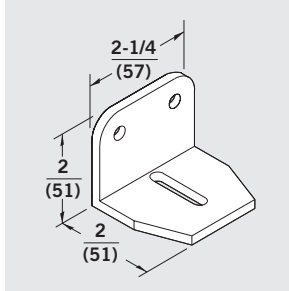
PHB — Furnished standard with 8600 FHP closer friction hold open parallel arm applications. Spacer block furnished standard for use with narrow stop applications.

Parallel Flush Transom Bracket



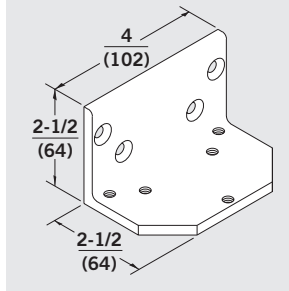
PFT — For all hold open and non-hold open parallel arm installations where flush transom conditions prohibit use of P86 or PHB bracket.

Narrow Frame Bracket



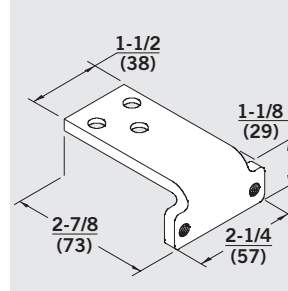
NFHD — For use with all DS and SPA applications where total frame depth is less than 4-1/2" (114 mm), prohibiting use of standard spacer block. NFHD bracket is used in lieu of block supplied with arm.

Flush Transom Bracket



FTHD — For use with all DS and SPA applications where flush transom conditions prohibit normal installation of soffit bracket.

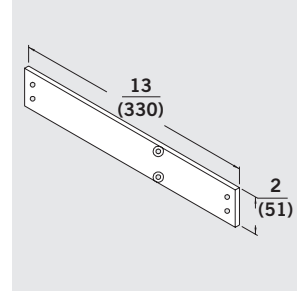
Mortised Jamb Bracket



MJ — For 8600 Series closers with regular mount non-hold open assemblies where frame conditions will not permit use of the standard foot, e.g. molded or ornate trim. Permits use of parallel arm application between twin communicating doors where limited space prohibits use of the wider P86 bracket.

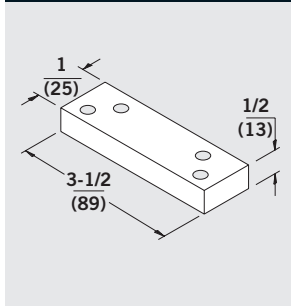
Flat form arm applications must use MJ in combination with AF8MJ arm.

Conversion Plate



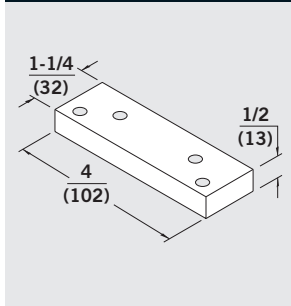
BP86C — For regular, top jamb, or parallel arm mounts. Permits replacement of existing 7600 Series closers with 8600 closers. Eliminates the need to remachine the door and frame.

Blade Stop Spacer



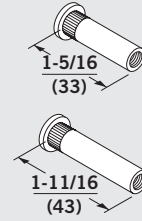
BS — For use with all 8600 Series P86, PD, and PHB applications installed on cased frames with applied blade stops. This block is used to provide adequate clearance for the blade stop.

Heavy-Duty Blade Stop Spacer



BSHD — For use with all 8600 Series DS and SPA applications installed on cased frames with applied blade stops. This block is used in conjunction with the spacer furnished with the arm to provide adequate clearance for the blade stop.

Sex Nuts



SNB1 — Sex nuts with machine screws for 1-3/4" (44 mm) door.

SNB2 — Sex nuts with machine screws for 1-3/8" (35 mm) door.

Required for use on unreinforced doors and wood or composite labeled fire doors for securely attaching hardware to the door.



DORMA Group
North America
www.dorma-usa.com

DORMA Architectural Hardware
DORMA Drive, Drawer AC
Reamstown, PA 17567-0411
Telephone: (800) 523-8483
Facsimile: (800) 274-9724
E-mail: archdw@dorma-usa.com

DORMA Canada
1680 Courtney Park Drive, Unit 13
Mississauga, Ontario L5T 1R4
Telephone: (800) 387-4938
Facsimile: (905) 670-5850
E-mail: sales@dormacanada.com

DORMA Mexico, S. de R.L. de C.V.
Monte Alban #400
Col. Vertiz Narvarte
03600, Mexico, D.F.
Mexico
Telephone: (52+55) 5539-0313
Facsimile: (52+55) 5532-1932
E-mail: dormamex@avantel.net