

AGILE 150
RS 120
DRS 120
RSP 80

**Hardware for
Tempered Glass
Sliding Systems**



Hardware for Tempered Glass Sliding Systems



CONTENTS

3-8	DORMA AGILE 150/150 Syncro
9-14	DORMA RS 120/120 Syncro/DRS 120
15-17	DORMA RSP 80
18	General Accessories
19	Metric/English conversion guide

DORMA AGILE 150/AGILE 150 Syncro

Sleek design – sophisticated technology

Compact and durable

The AGILE 150 system, part of a new generation of high performance glass panel sliding door accessories from DORMA Glas, combines versatility and durability with sleek European design. The AGILE 150 system operates on a compact track with the roller assembly hidden inside. The track can be mounted on a wall, ceiling or—for the sleek appearance of no track at all—recessed into the ceiling to give the appearance of an all glass sliding door. In addition to its aesthetic benefits, the AGILE 150 system provides superior versatility in installation and maintenance. No glass drilling or machining is required for installation.

Minimal gap

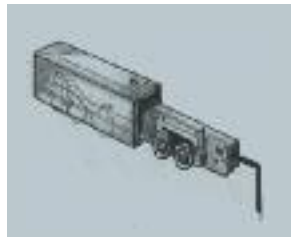
The compact dimensions of the AGILE 150 track profile and its enclosed roller assembly allow for minimal clearances between the glass and wall or glass/glass components.



Sophisticated track roller technology

The AGILE 150 meets a wide range of demanding customer requirements. Just two maintenance-free clamp-type carriers support

and transport glass panels weighing up to 330 lb (150 kg). The carriers use the same track roller technology as the DORMA HSW horizontal sliding wall systems, which have proven successful over many years. Regarding ease of operation, AGILE satisfies the Class 3 criteria of EN 1527—a force equivalent to just 4% max. of the door mass needs to be applied in order to overcome initial friction and set the door in motion. Even large doors can be operated with minimal effort.



Reliable stop

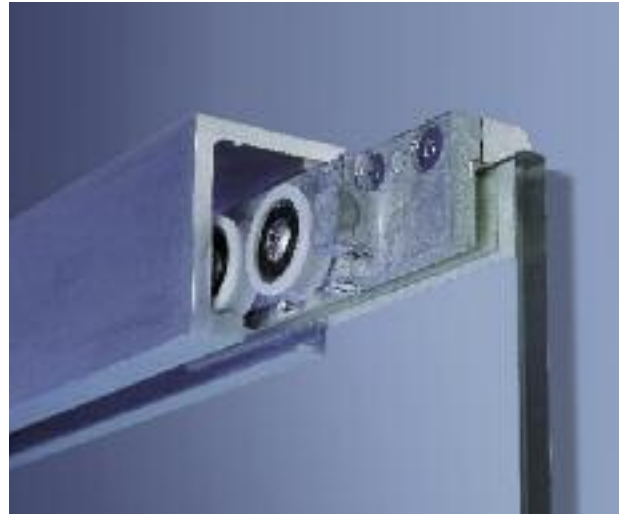
Specially developed catch-type buffers gently decelerate the panels and reliably hold them in both their closed and opened states.

Elegant floor guide

The AGILE 150 features an attractive zinc die cast floor guide that can be adjusted for different glass sizes. It uses a rotating plastic insert to safely guide glass elements from 5/16" (8 mm) to 9/16" (14 mm) thick.

One system – many solutions

The AGILE 150 is truly versatile. The system can be mounted at the wall, to the ceiling, or along a header in



either its single-panel or double-panel configuration, and with or without fixed sidelites.

No glass preparation

With the AGILE 150, drilling and cutting glass panels is unnecessary. Using its extensive expertise in glass fabrication, DORMA has designed the fittings so that a simple clamping action safely secures the panels. The uncomplicated installation is simple and quick. The standard variable clamp-type carriers can accommodate glass thicknesses from 3/8" (10 mm) to 1/2" (12 mm). Even after installing the glass panels, the clamp-type carriers enable you to make vertical adjustments of +/- 3/16" (5 mm) as required.

Long service life

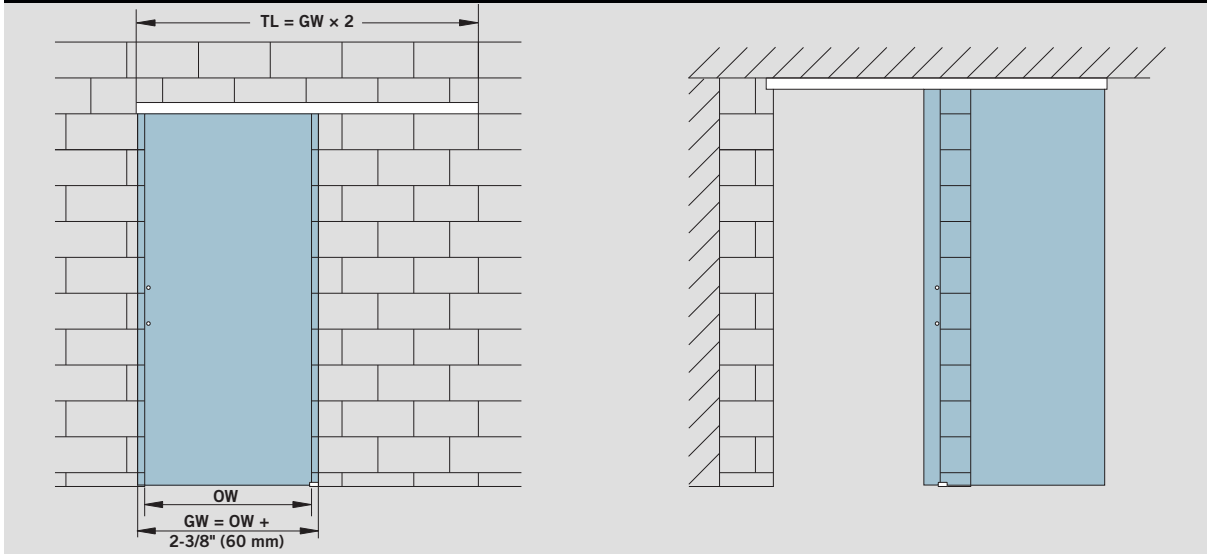
To ensure a long service life for the AGILE 150, DORMA has subjected the system to extensive tests involving more

than 100,000 operating cycles (performed to DIN EN 1527). And because it is highly corrosion resistant, you can install and use the AGILE 150 in damp areas with complete confidence.

Convenient Syncro version

The AGILE system is also available in a Syncro version that makes use of a virtually invisible and thoroughly proven cable and pulley return system. In this configuration, double-paneled sliding door sets open and close as bi-parting doors when just one of the panels is operated.

Typical assemblies – version without sidelite



Features and Data

DORMA AGILE 150

For installations with one or two door leaves, mounted to wall or ceiling; for 3/8" (10 mm) and 1/2" (12 mm) glass thickness

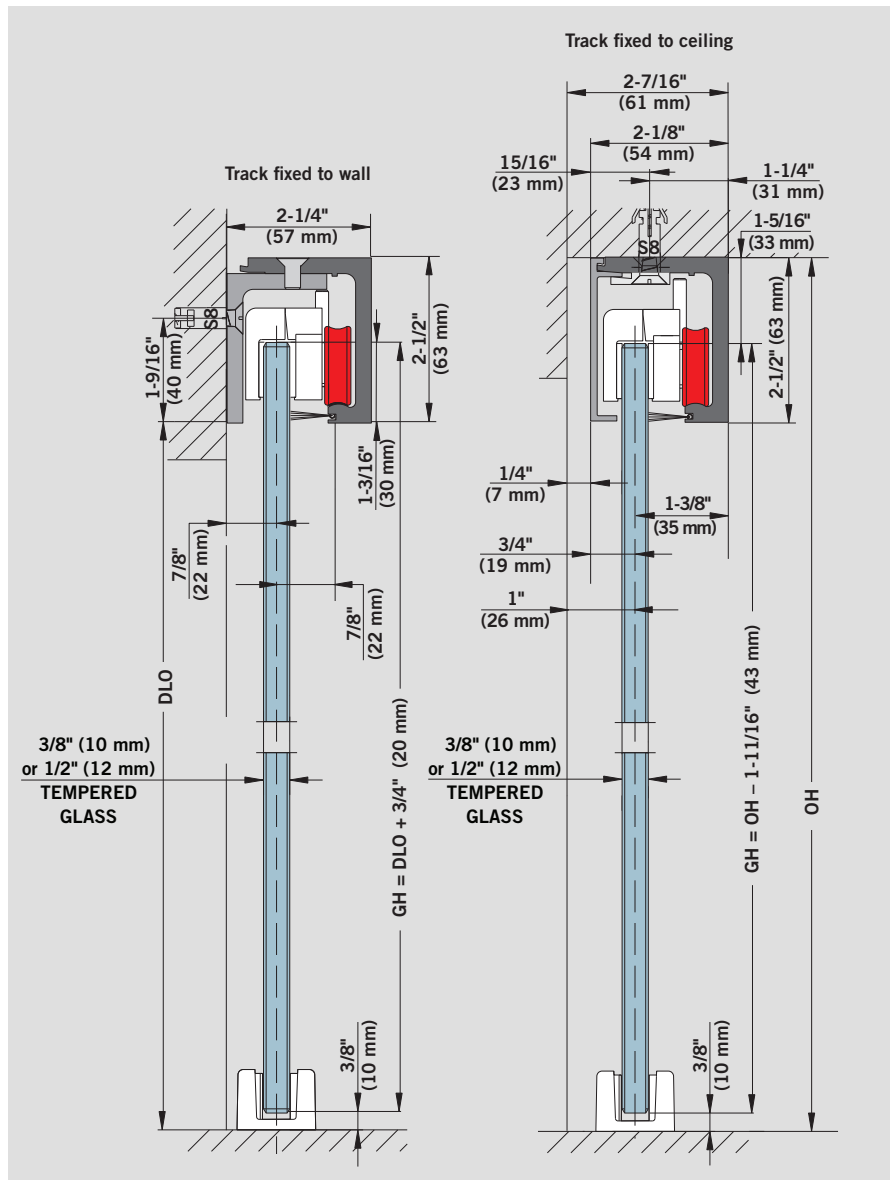
Max. weight of door leaves
330 lb (150 kg)

Calculation of glass height
GH = OH - 1-11/16" (43 mm)
or
GH = DLO + 3/4" (20 mm)
(see drawing)

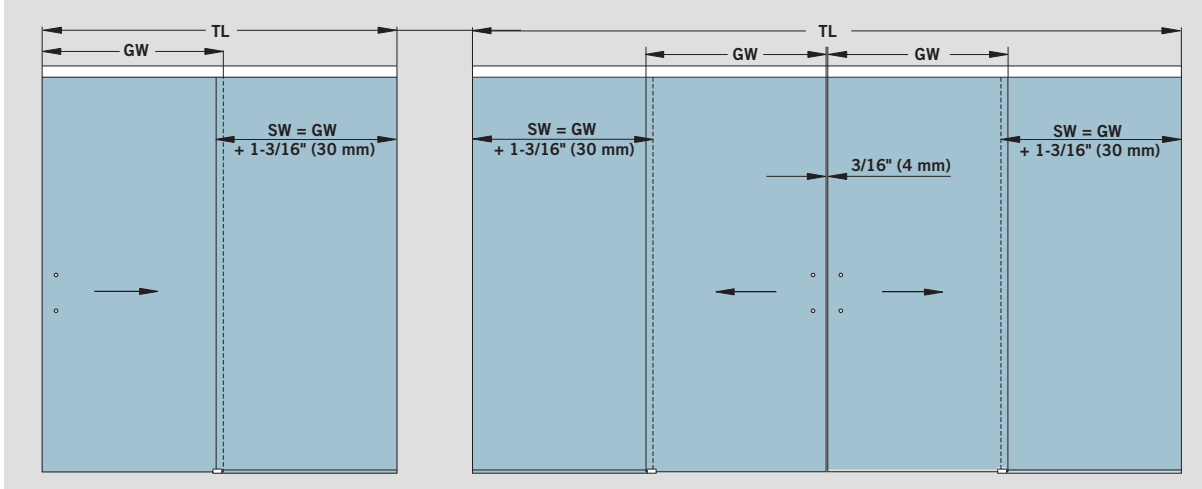
Calculation of glass width
GW = OW + 2-3/8" (60 mm)
[min. 19-11/16" (500 mm)]

Torque for screws in the clamp-carriers
9 lb-ft (12 Nm)

- GW = Glass width
- TL = Track length
- GH = Glass height
- OH = Opening height
- OW = Opening width
- DLO = Daylight opening
(bottom of track to finished floor)



Typical assemblies – version with sidelite



Features and Data

DORMA AGILE 150

For installations with one or two door leaves, with sidelites; for 3/8" (10 mm) and 1/2" (12 mm) glass thickness

Max. weight of door leaves
330 lb (150 kg)

Calculation of glass height

Sliding panels:
GH = OH - 1-11/16" (43 mm)
(see right drawing)

Sidelites:
SH = OH - 1-7/8" (48 mm)
(see left drawing)

Calculation of glass width

Sliding panels:
GW = TL/2
[*min. 19-11/16" (500 mm)]

Sidelites:
SW = GW + 1-3/16" (30 mm)

Torque for screws in the clamp-carriers

9 lb-ft (12 Nm)

GW = Glass width (sliding panel)

TL = Track length

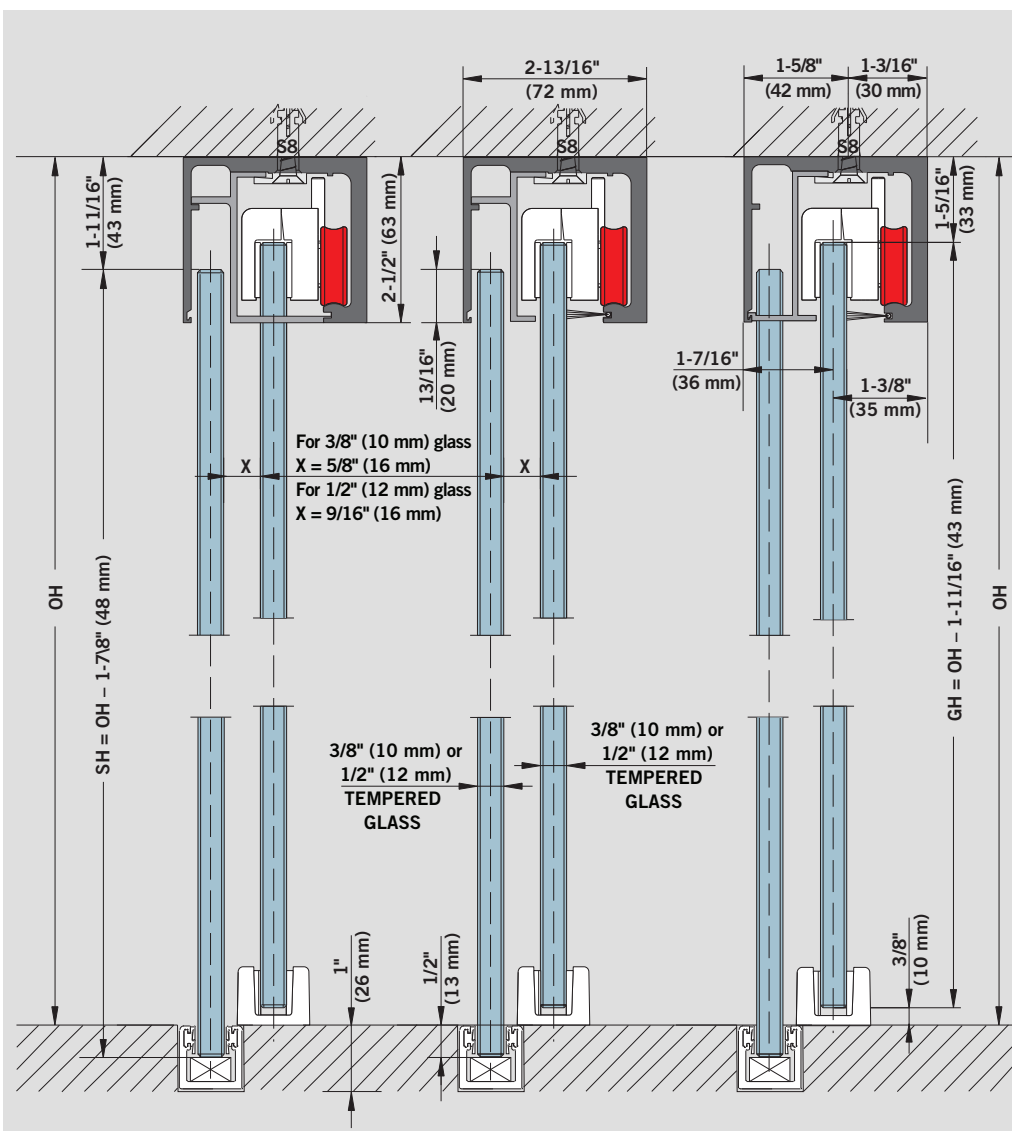
GH = Glass height (sliding panel)

SH = Sidelite height (fixed panel)

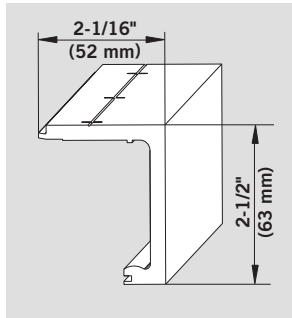
OH = Opening height

SW = Sidelite width (fixed panel)

X = 5/8" for 3/8" glass
(16 mm for 10 mm glass)
9/16" for 1/2" glass
(14 mm for 12 mm glass)



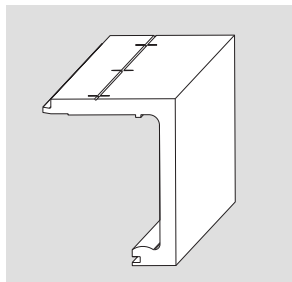
Single parts for version without sidelites



AGILE 150 Track Profile ceiling or wall mount (for installation without sidelites), drilled, stock length 157" (4 m)
Art. No. 807.340

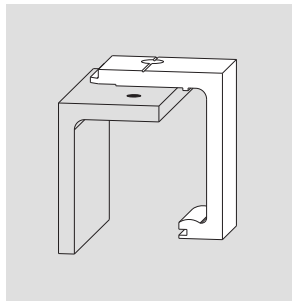
Weight in lb/ft (kg/m):
1.4 (1.910)

Cover profile 807.341/342 must be ordered separately.



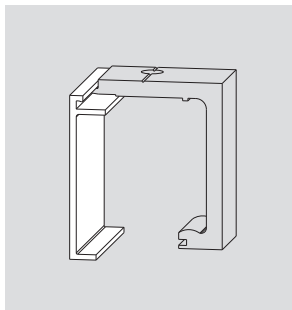
AGILE 150 Syncro Track ceiling mount (for installation without sidelites), stock length 157" (4 m)
Art No. 807.353

Cover profile 807.341 must be ordered separately.



AGILE 150 Syncro Track Profile wall mount (for installation without sidelites), drilled, stock length 157" (4 m)
Art No. 807.355
Art No. 807.354 (mounting between walls)

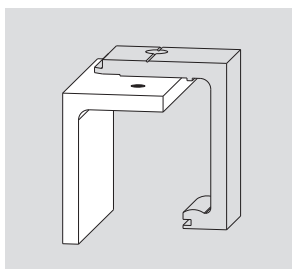
Angle profile 807.342 must be ordered separately.



AGILE 150 Cover Profile, ceiling mount (for installation without sidelites), stock length 157" (4 m)
Art. No. 807.341

Weight in lb/ft (kg/m):
0.38 (0.52)

For use with 807.340/353 Track Profile.

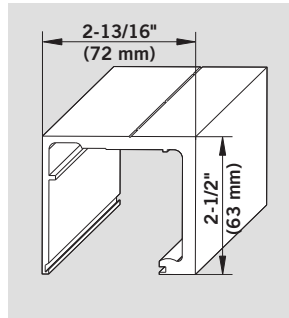


AGILE 150 Angle Profile, wall mount, drilled, stock length 157" (4 m)
Art. No. 807.342

Weight in lb/ft (kg/m):
1.06 (1.450)

For use with 807.340/355 Track Profile.

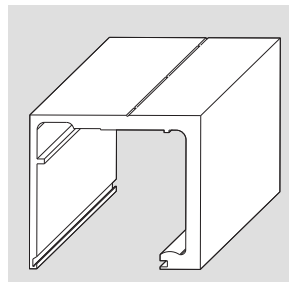
Single parts for version with sidelites



AGILE 150 Track Profile ceiling mount, drilled (for installation with sidelites), stock length 157" (4 m)
Art. No. 807.360

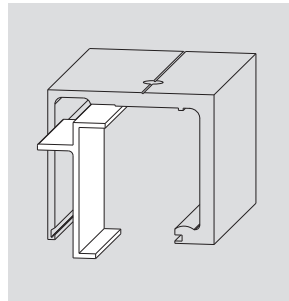
Weight in lb/ft (kg/m):
1.92 (2.623)

The sidelite/edge profile 807.361 and view protection profile 807.362 must be ordered separately.



AGILE 150 Syncro Track ceiling mount (for installation with sidelites), stock length 157" (4 m)
Art No. 807.373

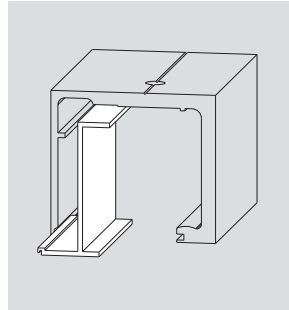
The sidelite/edge profile 807.361 and view protection profile 807.362 must be ordered separately.



AGILE 150 Sidelite ceiling mount profile (for installation with sidelites), stock length 157" (4 m)
Art. No. 807.361

Weight in lb/ft (kg/m):
0.26 (0.348)

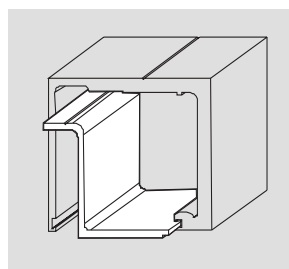
For use with 807.360/373.



AGILE 150 View Protection ceiling mount profile, to cover gap in entry area (for installation with sidelites), stock length 157" (4 m)
Art. No. 807.362

Weight in lb/ft (kg/m):
0.30 (0.405)

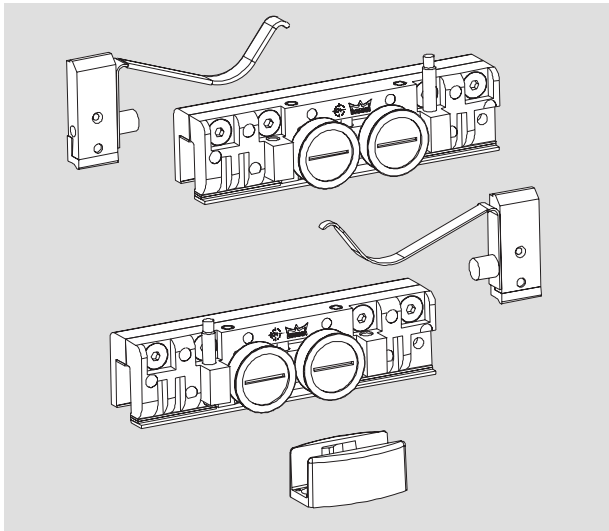
For use with 807.360/373.



AGILE 150 Sidelite Inlaid profile, ceiling mount to cover gap in sidelite area (for installation with sidelites), stock length 157" (4 m)
Art. No. 807.364

For use with 807.360/373 track.

AGILE 150/AGILE 150 Syncro Accessories



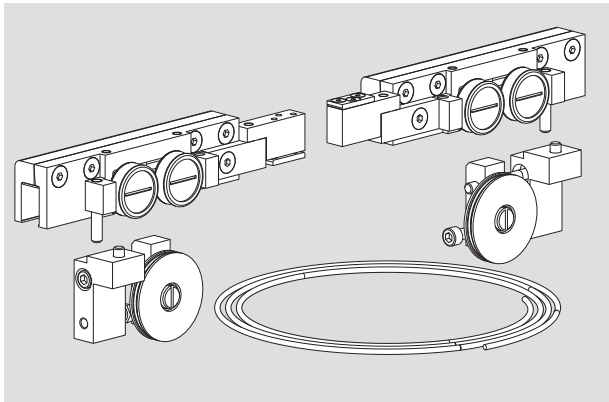
AGILE 150 accessory set

Max. panel width:
54" (1400 mm)
Max. panel weight:
330 lb (150 kg)

Set includes:
2 clamp-carriers (for 3/8"
(10 mm) or 1/2" (12 mm)
glass thickness)
with stabilizer, 2 endstops
with safety catch,
1 AGILE floor guide

Art. No. 807.325*

Weight in lb/ft (kg/m):
2.98 (1.354)



AGILE 150 Syncro set
for 2-panel synchronously
opening system.

Max. panel width:
39-3/8" (1000 mm)
Max. panel weight:
176 lb (80 kg)

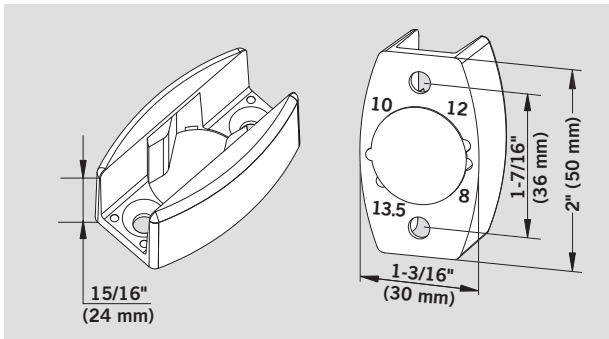
Set includes:
2 x accessory set
Art. No. 807.325,
1 x deflection device
incl. cable, adjustable

Art. No. 807.330

*Track profiles etc. to be
ordered separately.*

NOTE: AGILE track rail/wall
angle must be prepared for
syncro system before
installing it.

**Please read the mounting
instructions carefully.**



AGILE 150 floor guide,
adjustable for 3/8" (10 mm),
1/2" (12 mm), and 9/16"
(13.5 mm) glass thickness

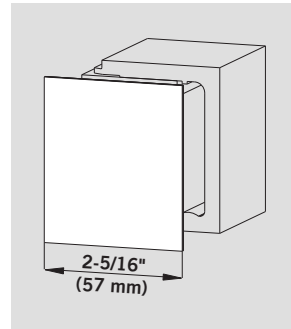
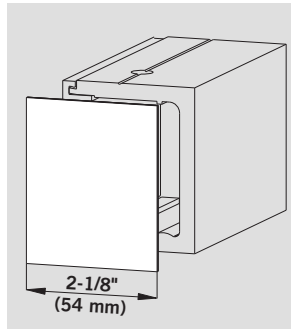
Art. No. 807.326

Weight in lb/ft (kg/m):
0.21 (0.094)

*** If replacement parts are
required, please mention
the date of purchase.**

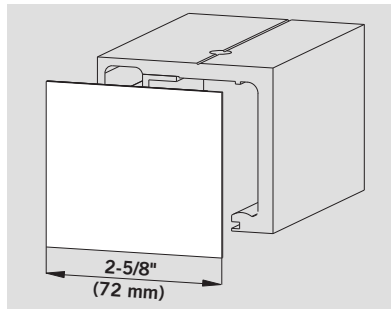
AGILE 150 End Cap

AGILE 150 endcap
2-1/8" (54 mm)
for ceiling mount track
Art. No. 807.340/341
Art. No. 807.327
Weight in lb (kg):
0.03 (0.014)



AGILE 150 endcap
2-1/4" (57 mm)
for wall mount track
Art. No. 807.340/342
Art. No. 807.328
Weight in lb (kg):
0.03 (0.014)

AGILE 150 endcap
2-7/8" (72 mm)
for track with
sidelite installation
Art. No. 807.360
Art. No. 807.329
Weight in lb (kg):
0.03 (0.014)

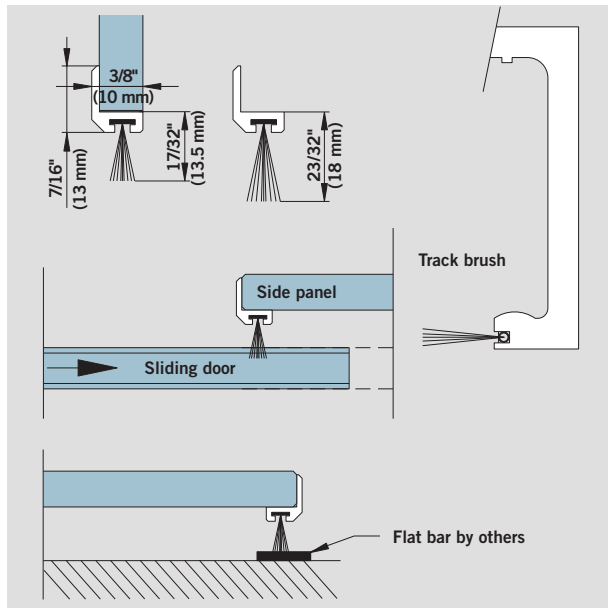


AGILE 150 Brush Profile

Brush profile,
for gaps up to 1/2" (13 mm),
stock length 118" (3 m)
Art. No. 807.400

Brush profile,
for gaps up to
1 1/16" (18 mm),
stock length 118" (3 m)
Art. No. 807.402

Track brush
Art. No. 807.385
stock length 49" (1.3 m)



NOTE: Various weights and measures in metric units. Refer to page 19 for Metric/English conversion.

General Accessories

Hook lock

for sliding doors, prepared for Europrofile cylinder, left hand and right hand, with lock keeper plate, suitable for lever handles with follower

Art. No. 905.202

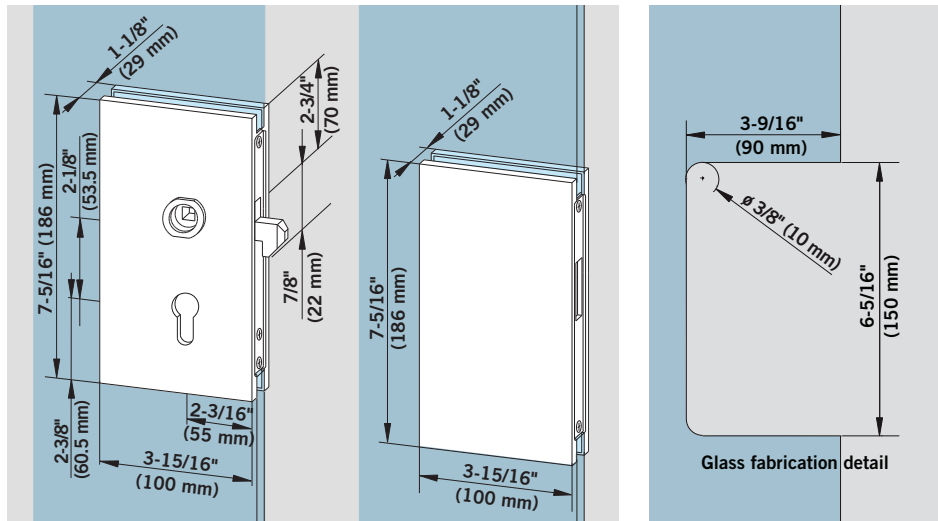
Weight in lb (kg):
aluminum 2.92 (1.325)

Strike box

to suit hook lock (905.202), non-handed, only to be used with bi-parting systems

Art. No. 905.201

Weight in kg:
aluminum 0.890



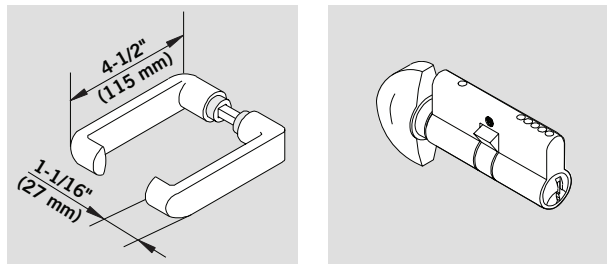
*Left/right hand (illustration shows left hand) is determined by view from hanging side.

Set of lever handles

Flat handles

Available in 101 Clear Anodized or 107 Aluminum similar to Satin Stainless Steel finishes

Art. No. 910.314



Europrofile cylinder

key/thumbturn, handed (please specify right/left hand)

Art. No. 901.004 (LH)

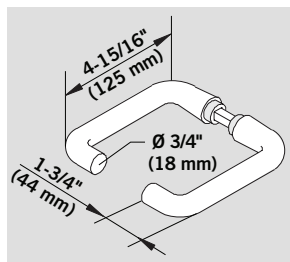
Art. No. 901.002 (RH)

Set of lever handles

Tubular handles

Available in 101 Clear Anodized or 107 Aluminum similar to Satin Stainless Steel finishes

Art. No. 910.310

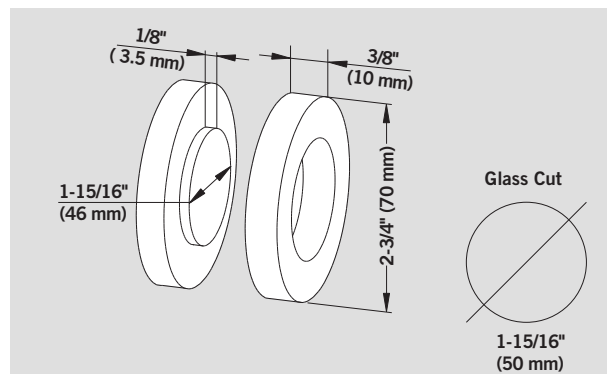


Flush pull,

aluminum, to be glued onto the glass—requires glass cut

Art. No. 907.200

Weight in lb (kg):
0.16 (0.072)



Metric/English Conversion

kg/lb conversion To convert to pounds, multiply kilograms by 2.2.

inch/mm conversion To convert to millimeters, multiply inches by 25.4.
To convert to inches, divide millimeters by 25.4 or multiply millimeters by 0.03937.

INCHES			INCHES			INCHES		
Fractional	Decimal	METRIC mm	Fractional	Decimal	METRIC mm	Fractional	Decimal	METRIC mm
1/32	0.0313	0.7938		0.9055	23	2-1/2	2.5	63.5
	0.0394	1	29/32	0.90625	23.0188		2.5197	64
1/16	0.0625	1.5875	15/16	0.9375	23.8125		2.5591	65
	0.0787	2		0.9449	24		2.5984	66
3/32	0.0938	2.3813	31/32	0.96875	24.6063		2.6378	67
	0.1181	3		0.9843	25		2.6772	68
1/8	0.125	3.175	1	1	25.4		2.7165	69
5/32	0.1563	3.9688		1.0236	26	2-3/4	2.75	69.85
	0.1575	4		1.063	27		2.7559	70
3/16	0.1875	4.7625		1.1024	28		2.7953	71
	0.1969	5		1.1417	29		2.8346	72
7/32	0.2188	5.5563		1.1811	30		2.874	73
	0.2362	6		1.2205	31		2.9134	74
1/4	0.25	6.35	1-1/4	1.25	31.75		2.9528	75
	0.2756	7		1.2598	32		2.9921	76
9/32	0.2813	7.1438		1.2992	33	3	3	76.2
5/16	0.3125	7.9375		.3386	34		3.0315	77
	0.315	8		1.378	35		3.0709	78
11/32	0.3438	8.7313		1.4173	36		3.1102	79
	0.3543	9		1.4567	37		3.1496	80
3/8	0.375	9.525		1.4961	38		3.189	81
	0.393	10	1-1/2	1.5	38.1		3.2283	82
13/32	0.4063	10.3188		1.5354	39		3.2677	83
	0.4331	11		1.5748	40		3.3071	84
7/16	0.4375	11.1125		1.6142	41		3.3465	85
15/32	0.4688	11.9063		1.6535	42		3.3858	86
	0.4724	12		1.6929	43		3.4252	87
1/2	0.5	12.7		1.7323	44		3.4646	88
	0.5118	13	1-3/4	1.75	45.45	3-1/2	3.5	88.9
17/32	0.5313	13.4938		1.7717	45		3.5039	89
	0.5512	14		1.811	46		3.5433	90
9/16	0.5625	14.2875		1.8504	47		3.5827	91
	0.5906	15		1.8898	48		3.622	92
19/32	0.5938	15.0813		1.9291	49		3.6614	93
5/8	0.625	15.875		1.9685	50		3.7008	94
	0.6299	16	2	2	50.8		3.7402	95
21/32	0.6563	16.6688		2.0079	51		3.7795	96
	0.6693	17		2.0472	52		3.8189	97
11/16	0.6875	17.4625		2.0866	53		3.8583	98
	0.7087	18		2.126	54		3.8976	99
23/32	0.7188	18.2563		2.1654	55		3.937	100
	0.748	19		2.2047	56	4	4	101.6
3/4	0.75	19.05		2.2441	57		4.3307	110
25/32	0.7813	19.8438	2-1/4	2.25	57.15	4-1/2	4.5	114.3
	0.7874	20		2.2835	58		4.7244	120
13/16	0.8125	20.6375		2.3228	59	5	5	127
	0.8268	21		2.3622	60		5.1181	130
27/32	0.8438	21.4313		2.4016	61		5.5118	140
	0.8661	22		2.4409	62		5.9055	150
7/8	0.875	22.225		2.4803	63	6	6	152.4



DORMA Glas, Inc.
1520 Jabez Run
Suite 303
Millersville, MD 21108
Tel: 410.923.0890
Toll Free: 800.451.0649
Fax: 410.923.3060
E-mail: glas@dorma-usa.com
www.dorma-usa.com