




Concealed in
Door Closer

DORMA ITS96-1

DORMA's ITS96-1 offers the optimum solution for applications requiring concealed door controls.

The unique cam and roller technology meets the challenge of providing the operation and features necessary in a compact design. The ITS96-1 is suited for virtually any door and frame combination with a minimum 1-3/4" door leaf thickness.

Technical Details:

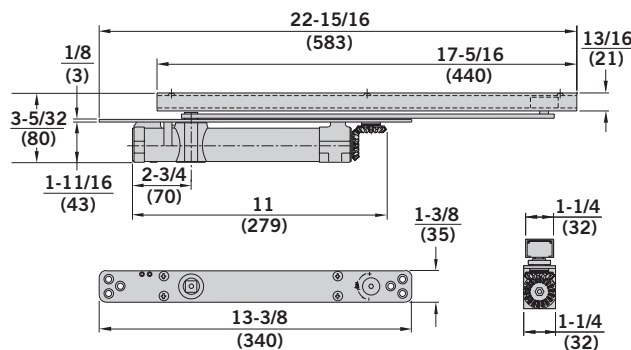
- Efficient cam and roller design.
- Rapid decrease in opening force makes doors easy to open, yet provides maximum closing force at the latch.
- Non-handed.
- Installs in 1-3/4" thick doors (minimum).
- Suitable for interior wood, hollow metal, and aluminum doors and frames.
- Accommodates **interior** doors up to 36" wide/125 lb (maximum).
- Invisible when door is closed.
- Adjustable spring force size 1–3. Adjustable with unit installed.
-  Opening force 5 lb or less on interior doors where door without closer attached is 1 lb opening force or less.
- Sweep and latch valve adjustment easily accessible after installation.
- Optional hold open adjustable between 80° and 120°.
- Maximum door opening approximately 130°.
- Cushioned stop position adjustable between 80°–130° (separate limiting stop required for doors in abusive conditions).
- Inverted application available. Consult factory for details.
- Accessory track brackets available for ease of installation or for frames lacking adequate reinforcement.

Certification:

The DORMA ITS96-1 is listed by U.L. and C.U.L. under their continuing reinspection programs. Meets the requirements for UL10C and UBC 7.2 (1997) for positive pressure. The ITS96-1 meets the requirements of ANSI A117.1 and ADA for barrier-free accessibility. California State Fire Marshall (CSFM) approved.

Listings by Others:

Eggers Industries – U.L. 10B and U.L. 10C listed.
Wood door x ITS96-1 20 minute type fire tested without hose stream. All must include 5" tectonite top rail.



Specification:

All closers shall be ITS96-1 Series concealed in the door cam and roller closers. The closers will have aluminum alloy bodies with high compression steel springs and steel cams and rollers for doors opening up to 130° maximum. The closers will have two noncritical thermostatic valves to separately control sweep and latch speeds and provide constant closing speeds even under extreme temperatures. The closers will have field adjustable spring power from size 1–3 to meet barrier-free requirements. Must be capable of spring adjustment when installed in the door. Install the ITS96-1 closer body in the door with the track in the frame. Closers to have cushioned stop adjustable from 80°–130°.

Optional Specifications:

All ITS96-1 closers to have adjustable hold open from approximately 80°–120°.

All closers to have accessory track brackets for frame conditions that do not permit standard mounting or when reinforcement is not an option.

REDUCED OPENING FORCE INSTALLATIONS CAUTION:

Manual door closers, including closers certified to conform to BHMA/ANSI Standard A156.4, when installed and adjusted to conform to ADA or other reduced opening force requirements, may not provide sufficient power to reliably close and latch a door.

Refer to catalog for information on ED800 Low Energy Operator to meet reduced opening force requirements without affecting closing power.

Finishes:

Standard Sprayed Finishes (Track & Arm):

Aluminum: 689.

Optional Special Color Sprayed Finishes:

Bronze: 691 (Dull), 690 (Statuary), or 695 (Dark Duranodic).

Gold: 696.

Black: 693.

For other sprayed finishes, specify code number or submit 3 color chip samples.

Optional Plated Finishes (main arm plated; track sprayed with complementing finish):

Brass: 605 (Bright) or 606 (Satin).


Bronze: 611 (Bright), 612 (Satin), or

613 (Oxidized Satin Oil Rubbed).

Nickel: 618 (Bright) or 619 (Satin).

Chrome: 625 (Bright) or 626 (Satin).

Technical Drawing Symbols and Notes

- – Recommended application
-  – Opening force 5 lb or less on interior doors 3'-0" wide.

Note: Although DORMA ITS96-1 Series closers have adjustable spring power to compensate for site conditions, it cannot be guaranteed that adequate closing force will be obtained while complying with barrier-free opening force restrictions.

ITS96-1 Wood Door and Frame

Side view dimensions (from center of hinge or offset pivot*):

- 5-11/16 (144)
- 17-5/16 (440)
- 4-1/8 (105)
- 6-7/8 (175)
- 11 (279)

End view dimensions:

- 13/16 (21)
- 1-1/4 (32)
- 2-5/16 (59)
- 1/8 (3)
- 5/8 min. (16)
- 1-1/4 (32)

Size Selection Chart

CLOSER	INTERIOR DOOR WIDTH			MAXIMUM OPENING	HOLD OPEN RANGE (OPTIONAL)
	2'-0" min.	2'-6"	3'-0" max.		
ITS96-1	•	•	♿	130°	80°-120°

NOTE: ITS96-1 closers are not recommended for doors over 3'-0" wide and 125 lb.
 * Offset top pivots may conflict with closer and track. Substitute the top pivot with an intermediate pivot.

ITS96-1 Metal Door and Frame

Side view dimensions (from center of hinge or offset pivot*):

- 5-11/16 (144)
- 17-5/16 (440)
- 4-1/8 (105)
- 6-7/8 (175)
- 11 (279)

End view dimensions:

- 1-1/4 (32)
- 13/16 (21)
- 2-5/16 (59)
- 1/8 (3)
- 5/8 min. (16)
- 1-1/4 (32)
- Reinforcement (by others)

Size Selection Chart

CLOSER	INTERIOR DOOR WIDTH			MAXIMUM OPENING	HOLD OPEN RANGE (OPTIONAL)
	2'-0" min.	2'-6"	3'-0" max.		
ITS96-1	•	•	♿	130°	80°-120°

NOTE: ITS96-1 closers are not recommended for doors over 3'-0" wide and 125 lb.
 * Offset top pivots may conflict with closer and track. Substitute the top pivot with an intermediate pivot.

ITS96-1 Wood Door and Frame x 08082820 Accessory Track Brackets

Size Selection Chart

CLOSER	INTERIOR DOOR WIDTH			MAXIMUM OPENING	HOLD OPEN RANGE (OPTIONAL)
	2'-0" min.	2'-6"	3'-0" max.		
ITS96-1	•	•	♿	130°	80°-120°

08082820 Track Brackets
Track mounting brackets for wood frames. Used when frame conditions prohibit standard mounting of track (two per unit).

NOTE: ITS96-1 closers are not recommended for doors over 3'-0" wide and 125 lb.
* Offset top pivots may conflict with closer and track. Substitute the top pivot with an intermediate pivot.

ITS96-1 Metal Door and Frame x 08082810 Accessory Track Brackets

Size Selection Chart

CLOSER	INTERIOR DOOR WIDTH			MAXIMUM OPENING	HOLD OPEN RANGE (OPTIONAL)
	2'-0" min.	2'-6"	3'-0" max.		
ITS96-1	•	•	♿	130°	80°-120°

08082810 Track Brackets
Track mounting brackets for ease of installation or for frames lacking adequate reinforcement (two per unit).

NOTE: ITS96-1 closers are not recommended for doors over 3'-0" wide and 125 lb.
* Offset top pivots may conflict with closer and track. Substitute the top pivot with an intermediate pivot.

DORMA Group North America
www.dorma-usa.com

DORMA Architectural Hardware
DORMA Drive, Drawer AC
Reamstown, PA 17567-0411
Telephone: (800) 523-8483
Facsimile: (800) 274-9724
E-mail: archdw@dorma-usa.com

DORMA Canada
1680 Courtney Park Drive, Unit 13
Mississauga, Ontario L5T 1R4
Telephone: (800) 387-4938
Facsimile: (905) 670-5850
E-mail: sales@dormacanada.com

DORMA Mexico, S. de R.L. de C.V.
Astrónomos 28
Col. Escandón
11800, México, D.F.
Mexico
Telephone: (52+55) 5272-6937
Facsimile: (52+55) 5272-6948
E-mail: dormaoper@prodigy.net.mx