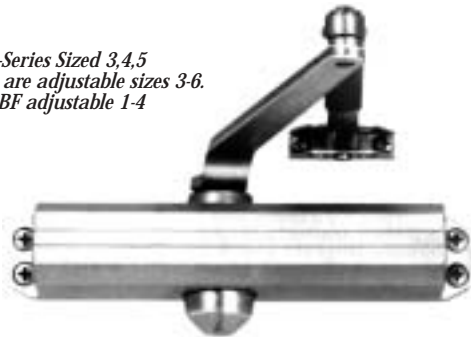


Series 1600 and Series 1601 & 1601BF

1600-Series Sized 3,4,5
1601 are adjustable sizes 3-6.
1601BF adjustable 1-4



The Series 1600 and Series 1601 door closers have been tested and certified by an independent testing laboratory as being in compliance with the Grade 1 requirements of ANSI Standard A156.4.

Features of 1600, 1601 & 1601BF

- **Tri-Style Installation:** Versatile closer packaged for regular arm, top jamb or parallel arm installation.
- **Non-Handed:** Installed on either right or left hand doors for all applications.
- **Aluminum Alloy Shell:** Norton closer shells are constructed of a special aluminum alloy which is lightweight and offers proven durability.
- **Rack & Pinion Operation:** Provides a smooth transmission of power, for control of the door through its full opening and closing cycle.
- **Adjustable Sweep Speed:** An independent regulating valve, hex-key-operated, permits adjustment of the general closing speed.
- **Adjustable Latch Speed:** An independent regulating valve, hex-key-operated, permits adjustment of the door's speed for approximately the last 10° of the closing cycle.
- **Non-Hold-Open Arm:** Standard closer will be supplied with a Non-Hold-Open Arm. This arm is non-handed.
- **Adjustable Backcheck Cushioning (1600 only):** An independent regulating valve, hex-key-operated, provides an adjustable hydraulic cushion to the door opening speed toward the end of the cycle.
- **1601 door closers:** Adjustable sizes 3-6.
- **1601BF door closers:** Designed to comply with requirements of the Americans With Disabilities Act (A.D.A.) and ANSI Standard A117.1. Adjustable, sizes 1-4.

Finish

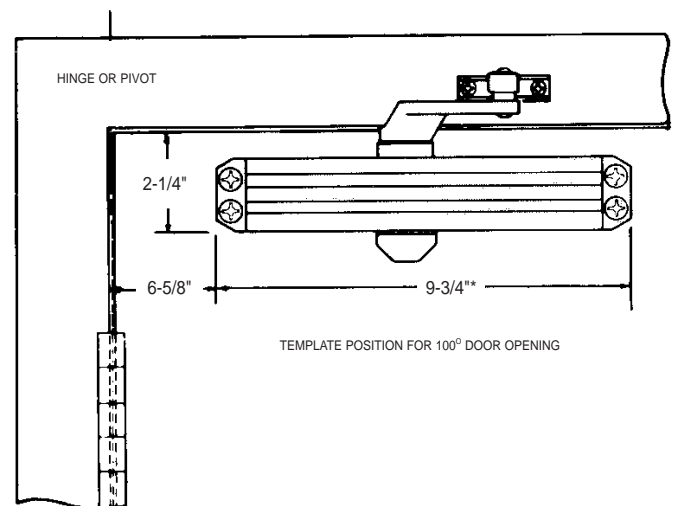
- **SB (689)** Aluminum Sprayed, **313 (695)** Dark Amber Sprayed, **BL (691)** Light Bronze Sprayed, **315 (693)** Black Sprayed, **GB (696)** Satin Brass Sprayed, **STAT (690)** Dark Bronze Sprayed.

Options

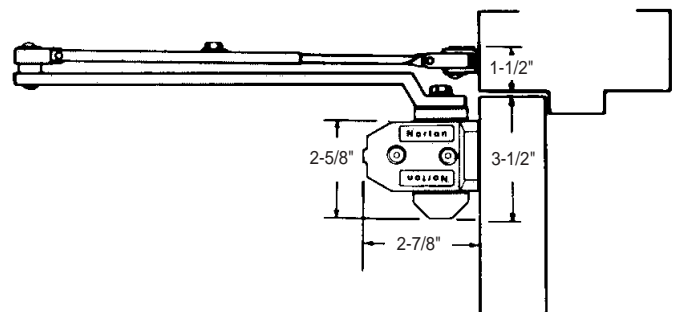
- **Adjustable Delayed Action:** Available in place of backcheck. Adds a third closing speed range at the beginning of the door's closing cycle.
- **Hold-Open Arm:** Closer arm has adjustable hold-open feature (90° to 180°). This arm is non-handed. Order by suffixing "H" to the Catalog Number.
- **Back-Check (1601)**

Installation for Series 1600 & 1601

Regular Arm

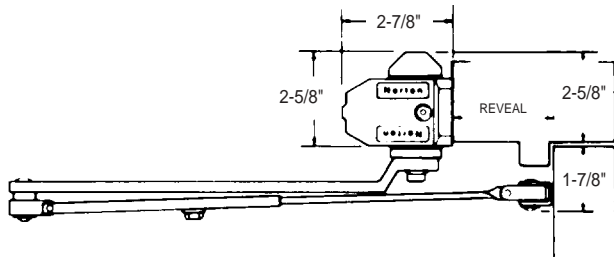
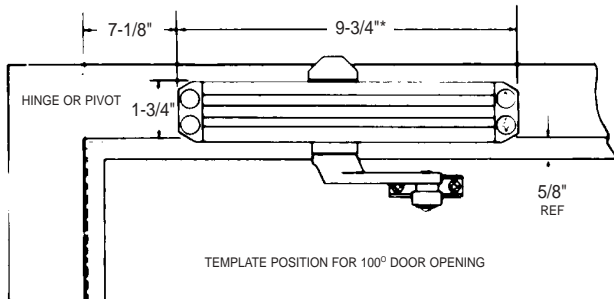


*1603BC Length 8-3/4"

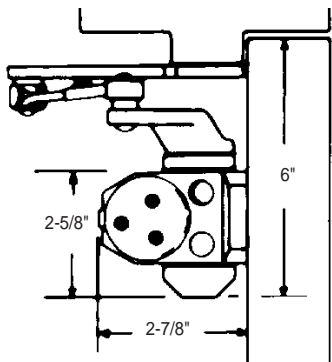
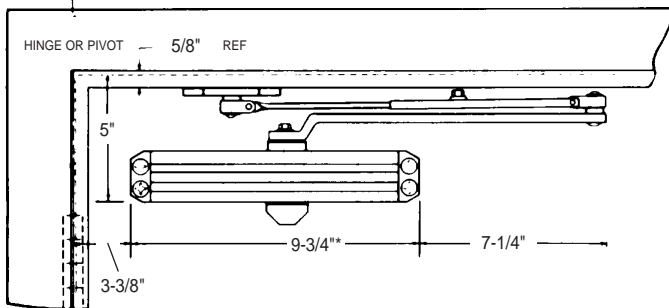


**Installation for Series 1600 & 1601
(continued)**

Top Jamb



Parallel Arm

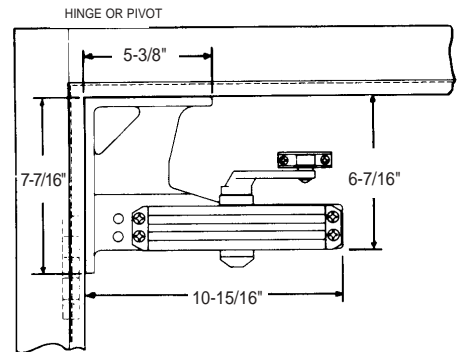


*1603BC Length 8-3/4"

Accessories

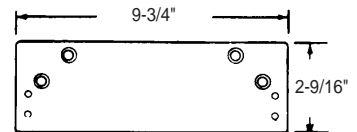
#1647

Corner Bracket
For use where it is desired to mount the closer regular arm, on the opposite to hinge side of the door. Can also be used to clear an overhead door holder.



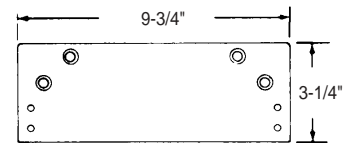
#1687 Drop Plate

Low Ceiling Clearance Overhead Door Holder
For use where low ceiling clearance prevents normal top jamb mounting. This plate is used when the clearance is between 1-3/4" and 2-5/8". Or for use where an overhead door holder prevents normal top jamb mounting. This places the centerline of the arm mounting screws at 2-1/4" from the top of the door.



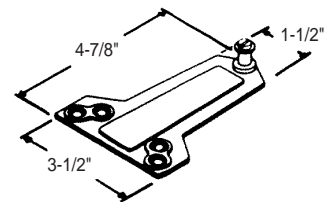
#1688 Drop Plate

Overhead Door Holder
For use where an overhead door holder prevents normal top jamb mounting. This places the centerline of the arm mounting screws at 2-7/8".



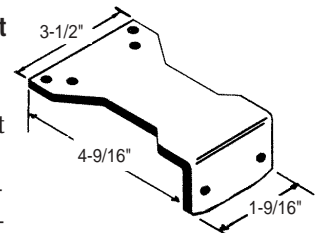
#1618A

Parallel Arm Bracket
This soffit plate is supplied standard with most non-hold-open closers, to permit parallel arm mounting. It can be mounted where the frame soffit is as narrow as 1".



#1628H Parallel Arm Bracket for Hold-Open Arms

This adapter plate is supplied standard with most hold-open closers. It can also be used to convert regular arm or top jamb hold-open to parallel arm installation. It can be mounted where the frame soffit is as narrow as 1".



#SN134 Sex Nuts

Package of four.