

### Series 7500 & 7500BF Door Closers

#### Introduction

Series 7500 are Normal Power Range Closers and are adjustable in a 2 thru 6 size range. These closers can be installed and adjusted to conform to the closing power requirements of conventionally sized closers.



Series 7500BF are Accessibility Code Closers and are adjustable in a 1 thru 4 size range. These closers are lighter-powered than the Series 7500 to reduce the door opening resistance to manageable levels for the handicapped and still provide door control.

The Series 7500/7500BF closers have a complete range of separate control adjustments: sweep speed, latch speed, backcheck cushioning and backcheck positioning. Adjustable delayed action closing is also available as an option.

#### Applications

Series 7500 closers are narrow projection door controls: projection is just 2-1/8" from the surface of the door or jamb. They are complete with covers finished to suit the décor of other hardware. They are available with sprayed covers or BHMA plated finishes.

#### U.L. Listing

All Norton Series 7500/7500BF Closers with non-hold-open arms are listed by Underwriters' Laboratories, Inc. for use on labeled fire doors (UL10C).

#### ANSI/BHMA/Federal Specs

The Series 7500 door closer has been tested and is certified by an independent testing laboratory as being in compliance with the Grade 1 requirements of ANSI Standard A156.4.

#### Features

- **Multi-Size Power:** The closer spring assembly can be adjusted through a wide power range. A high shouldered adjustment nut accepts a standard 11/16" socket or wrench.
- **Two Power Ranges:** Each series can be adjusted through a range of sizes:  
Series 7500 Normal Power Range Closer, sizes 2 thru 6;  
Series 7500BF A.D.A. Accessibility Code Closer, sizes 1 thru 4.
- **Tri-Style Installation:** Versatile closer packaged with mounting hardware for regular arm and parallel arm installation. Closer can also be installed top jamb where frame face and reveal permit. Top jamb installation requires a minimum frame face of 3-1/4"; arm will accommodate frame reveals of 0-3".

- **Non-Handed:** Pinion shaft extends vertically through the closer body in both directions. This permits the closer to be positioned on either right or left hand doors for all applications. Some options, will require that the hand of the closer be specified.
- **Adjustable Sweep Speed:** An independent regulating valve, hex-key-operated, permits adjustment of general closing speed.
- **Adjustable Latch Speed:** An independent regulating valve, hex-key-operated, permits adjustment of the door's speed for approximately the last 5° of the closing cycle.
- **Adjustable Backcheck Cushioning:** An independent regulating valve, hex-key-operated, provides an adjustable hydraulic cushion to the door opening speed toward the end of the opening cycle.
- **Adjustable Backcheck Positioning:** An independent valve, hex-key-operated, allows adjustment of the point, in the door's opening cycle, at which backcheck cushioning takes effect. It provides a range of 20° within which backcheck can be set. The exact range is dependent upon the arm application and templated position of the closer.
- **Molded cover:** Supplied as standard for all closers, this cover is fabricated of high impact U.L. listed material for covering the closer body and mounting screws. This cover is non-handed and has cutout sections for top jamb application.

#### Finish

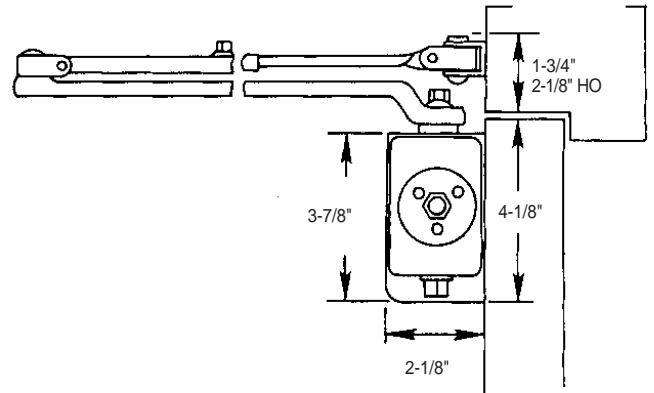
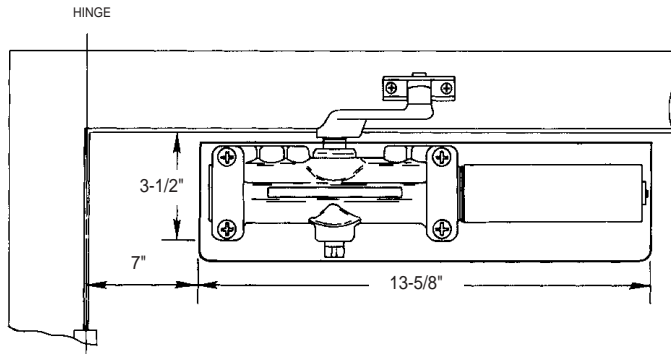
- **SB (689) Aluminum Sprayed, 313 (695) Dark Amber Sprayed, BL (691) Light Bronze Sprayed, 315 (693) Black Sprayed, GB (696) Satin Brass Sprayed, STAT (690) Dark Bronze Sprayed.**

#### Options

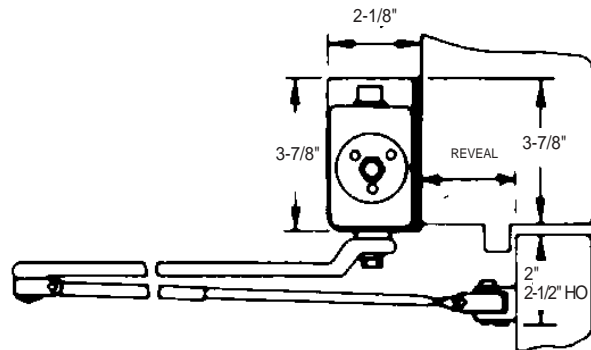
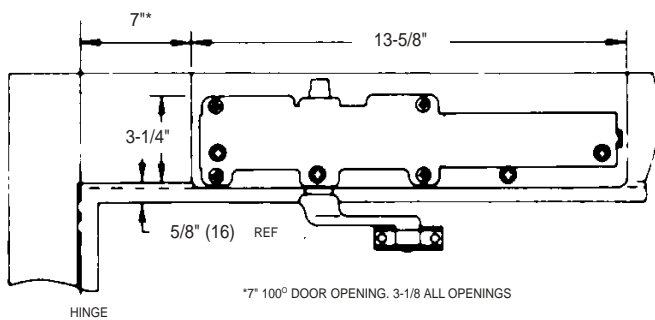
- **Delayed Action:** An optional hydraulic feature that adds a third speed range to the closing control cycle. This feature becomes effective when the door is opened and released at any point beyond 70°. This delayed closing enables traffic to clear the opening before the normal closing cycle starts. This feature is advantageous to the handicapped and elderly. It is also valuable for wheeled or other traffic where delayed closing is desirable. Backcheck cushioning and backcheck positioning are standard with all closers including closers with Adjustable Delayed Action Closing. Order Series 7500DA.
- **Hold Open:** Closer has adjustable hold-open feature (90-180 degrees) and is non-handed. Order by suffixing H to model.

**Installation for Series 7500 & 7500BF**

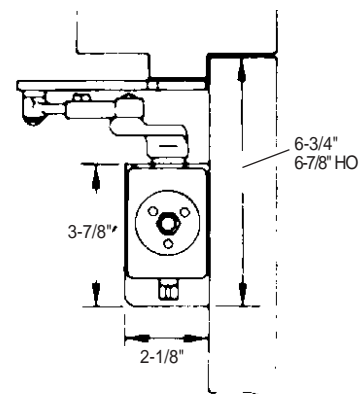
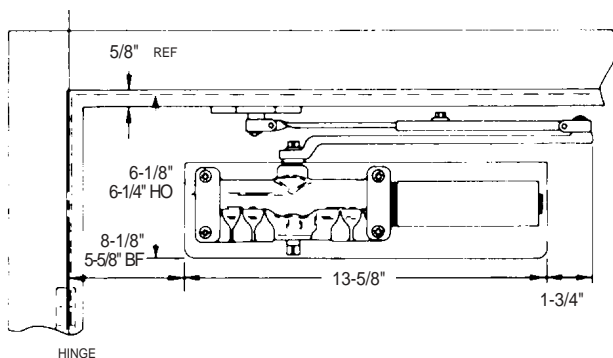
**Regular Arm**



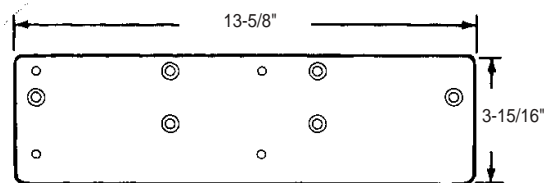
**Top Jam**



**Parallel Arm**

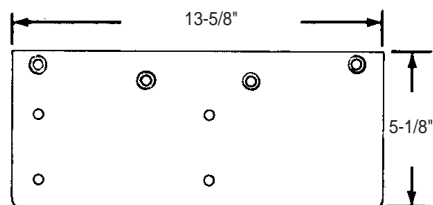


### Series 7500/7500BF & 8301/8501 Door Closer Accessories



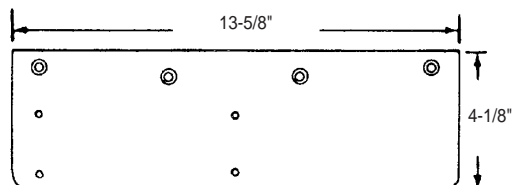
#### #7786 Drop Plate—Narrow Top Rail

For use where the narrowed directly to the door surface. This Drop Plate must be used for any Series 7500 mounted on a top rail between 1-7/8" and 3-3/8" in height.



#### #7788 Drop Plate—Narrow Top Rail

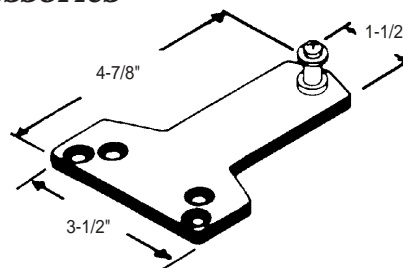
For use where a narrow top rail prevents the closer from being mounted directly to the door surface. This Drop Plate can be used to mount a closer on a top rail as narrow as 2-3/8" in height.



#### #7787—Overhead Door Holder

##### Low Ceiling Clearance

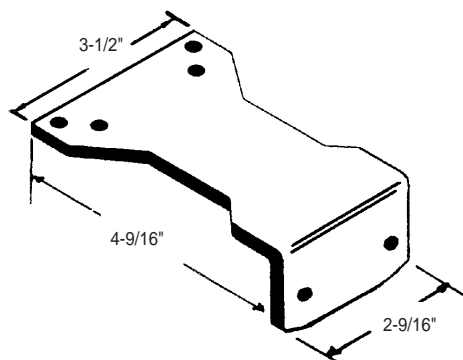
Drop Plate: For use where the ceiling clearance is between 1-7/8" and 3-7/8" or where a surface or concealed overhead door holder prevents normal top jamb mounting. This plate drops the closer and allows the arm mounting screws to clear the bottom of the door holder. This places the centerline of the arm mounting screws at 3-1/4" from the top of the door.



#### #1618—Soffit Plate

##### Standard Installation

This soffit plate is supplied standard with parallel arm closers. It can be mounted where the frame soffit is as narrow as 1".



#### #1628H—Adapter Plate

##### Parallel Hold-Open/Fusible-Link

This adapter plate is supplied standard with most hold-open closers. It can also be used to convert regular arm or top jamb hold-open to parallel arm installation. It can be mounted where the frame soffit is as narrow as 1".