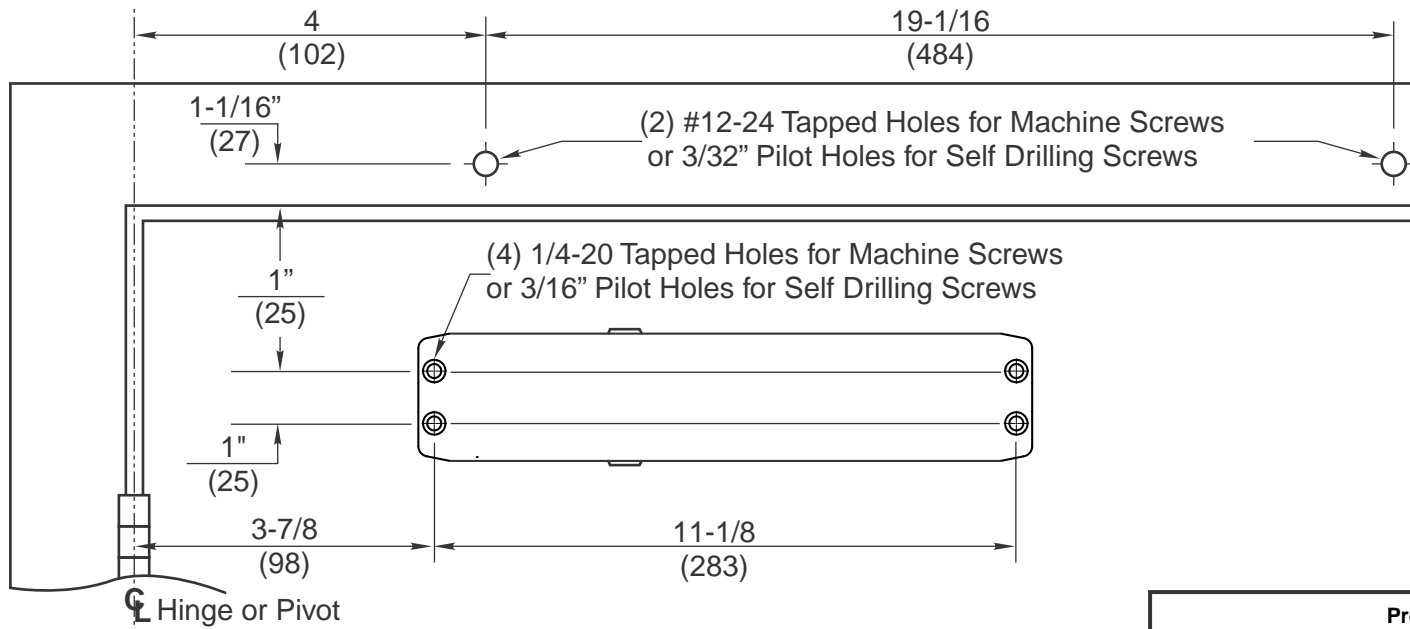


## Pull Side Application



- Right hand door shown
- Do not scale drawing
- Dimensions are given in inches (mm)
- Minimum thickness recommended for reinforcements in hollow-metal door and frames .1046" (2.6mm) unless otherwise noted.

Maximum door opening with or without hold-open is 140°.

Preparation for Fasteners				
Fasteners		Door or Frame		Drill-Sizes
Standard	1/4" Self-Drilling Screw (Closer Body Only)	Closer	Aluminum Metal or Wood	3/16" (4.30 mm) pilot hole required
	# 12-14 Self-Drilling Screw (Track Only)	Track		3/32" (2.38 mm) pilot hole required
	1/4" - 20 machine screw	Closer	Metal	Drill: #7 (.201" dia.) Tap: 1/4" - 20
	#12-24 machine screw	Track		Drill: 4.4mm or #16 (.172") Tap: #12 - 24
Optional	Sleeve nuts and bolts	Closer Body Only	Hollow Metal	9/32" (7 mm) through; 3/8" (9.5 mm) door face opposite to closer
		Closer Body Only	Aluminum or Wood	3/8" (9.5 mm) through
	Through-bolts and grommet-nuts	Closer Body	All	9/32" (7 mm); 3/8" (9.5 mm) dia. x 3/8" (9.5 mm) deep on door opposite to closer

### 2800ST Series Multi-Size Slide Track Door Closers Pull Side Application

**Norton**

ASSA ABLOY

www.nortondoorcontrols.com

TEMPLATE NUMBER

**7328-0008**

DATE

**10-15**