

## Series 8301/8501 Multi-Size Door Closer



### Application

Norton® Series 8301/8501 Multi-Size Door Closers feature springs that permit power adjustments through a range of sizes. These closers are available in two distinct power ranges.

Series 8301/8501 are Normal Power Range Closers and are adjustable in a 2 thru 6 size range. These closers can be installed and adjusted to conform to the power requirements of conventionally sized closers.

♿ Series 8301BF/8501BF are Accessibility Code Closers. They meet the requirements of the Americans With Disabilities Act (A.D.A.) and are adjustable in a 1 thru 4 size range. These closers are lighter-powered than the Series 8301/8501 to reduce the door opening resistance to manageable levels for the handicapped and still provide acceptable door control.

Series 8301/8301BF closers are supplied with a molded Slim Style cover. Series 8501/8501BF are supplied with a molded Full cover; an optional metal Full cover or a wood laminated Full cover are available to order.

All Norton 8301/8501 Series closers with non-hold-open arms are listed by Underwriters Laboratories for use on self-closing labeled fire doors (UL10C).

### Features

- **Multi-Size Power:** The closer spring assembly can be adjusted through a wide power range. A high shoulder adjustment nut accepts a standard 9/16" socket a wrench.
- **Two Power Ranges:** Each series can be adjusted through a range of sizes: Series 8301/8501 Normal Power Range Closers, sizes 2 thru 6; Series 8301BF/8501BF Accessibility Code Closers, sizes 1 thru 4, Tri-Style Installation: Standard closers packaged for regular arm, top jamb or parallel arm installation.
- **Non-Handed:** Pinion shaft extends vertically through the closer body in both directions. This permits the closer body in both directions. This permits the closer to be positioned on either right or left hand doors for all applications.
- **Adjustable Sweep Speed:** An independent regulating valve, hex-key-operated, permits adjustment of the general closing speed.

- **Adjustable Latch Speed:** An independent regulating valve, hex-key-operated, permits adjustment of the door's speed for approximately the last 5° of the closing cycle.
- **Adjustable Backcheck Cushioning:** An independent regulating valve, hex-key-operated, provides an adjustable hydraulic cushion to the door opening speed toward the end of the opening cycle.
- **Molded Slim Style Cover:** Supplied as standard with 8301 and 8301BF closers; fabricated of high-impact U.L. listed material for covering the closer body and mounting screws.
- **Molded Full Cover:** Supplied as standard with 8501 and 8501BF closers; fabricated of high-impact U.L. listed material for covering the entire closer. This cover has breakout notches to permit proper handling during installation of the cover.

### Options

- **Adjustable Delayed Action Closing:** An optional hydraulic feature that adds a third speed range to the closing cycle. This feature becomes effective when the door is opened and released at any point beyond 70°.
- **Hold-Open Arm:** Closer has adjustable hold-open feature (90° to 180°). This arm is non-handed. Order by suffixing "H" to the Catalog Number.

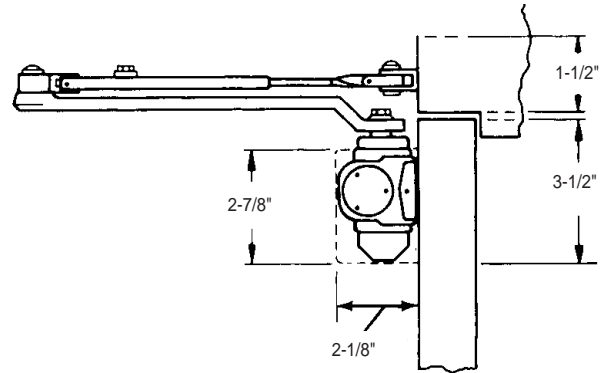
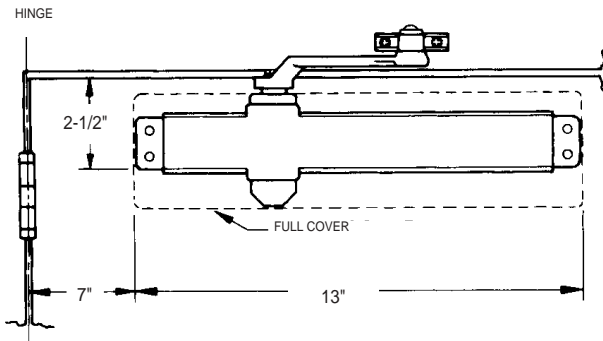
### Finish

- **SB (689) Aluminum Sprayed, 313 (695) Dark Amber Sprayed, BL (691) Light Bronze Sprayed, 315 (693) Black Sprayed, GB (696) Satin Brass Sprayed, STAT (690) Dark Bronze Sprayed.**

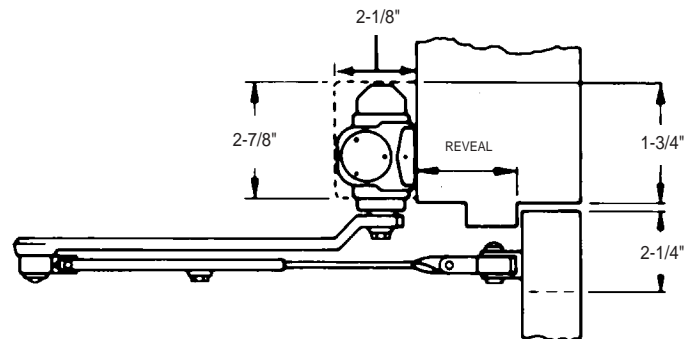
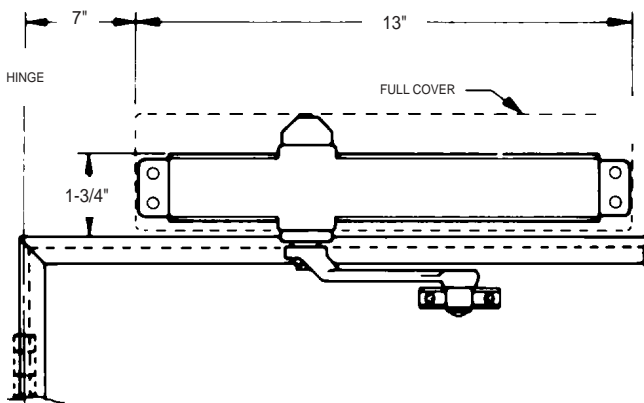
*NOTE: Norton 8301/8501 Door Closers use #1618A Parallel arm brackets and the #1628H Parallel arm bracket for hold-open arms.*

### Installation for Series 8301/8501

#### Regular Arm



#### Top Jamb



#### Parallel Arm

