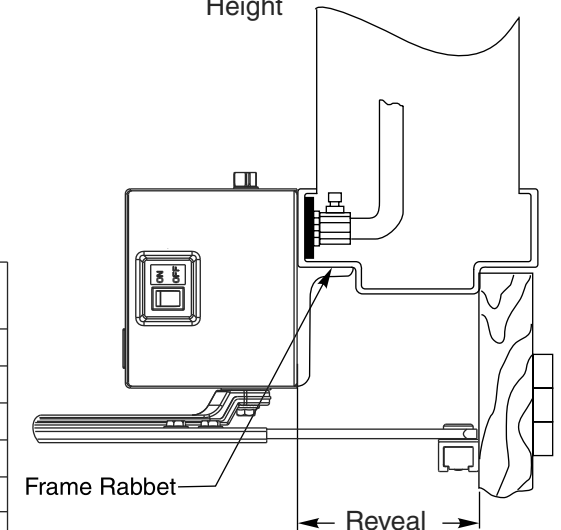


Model No.	Reveal Type	Reveal Depth
6060	Standard	2-1/4" to 4-3/4"
6070	Deep	4-13/16" to 7-3/8"

Notes:

- Do not scale drawing.
- Left hand door shown for push side.
- All dimensions are given in inches and millimeters.
- Recommended thickness for reinforcements in hollow-metal doors and frames should provide a combined material thickness of .164 (4.2) MIN.
- This template information based upon use of 5 (127) maximum width butt hinges or 3/4 (19) offset pivots.

Door Opening Angle	Dim "A"	Dim "B"	Dim "C"
85°	4-1/4 (108)	13-1/4 (337)	8-1/8 (206)
90°	3-5/8 (92)	12-5/8 (321)	7-1/2 (191)
95°	3 (76)	12 (305)	6-7/8 (175)
100°	2-1/2 (64)	11-1/2 (292)	6-3/8 (162)
105°	2-1/8 (54)	11-1/8 (283)	6 (152)
110°	1-3/4 (44)	10-3/4 (273)	5-5/8 (143)



**6060/6070 Series Lower Energy Operator
85° to 110° Door Opening
Drop Application for Stop (Push) Side of Door Installation
Units With a Suffix "D"; With or Without RF Suffix**

1-877-974-2255



ASSA ABLOY

www.nortondoorcontrols.com

TEMPLATE NUMBER	DATE
80-7360-1003-020	02-13