

MODEL 91

**Application**

- Exterior or interior doors
- Door weight up to 250 lbs.
- Maximum door size: interior 4'6" x 8'0"; exterior 4'0" x 8'0"
- Minimum aluminum frame size 1-3/4" x 4"



**Features**

- Single acting, offset hung
- Heavy-duty cast iron closer body
- Forged arms
- Steel alloy track
- One-piece mounting plate
- 1-1/4" piston diameter
- Adjustable spring 3-6 for larger doors or fire rated openings (specify 91)
- Adjustable spring 1-3 for lighter opening force (specify PH91 – ADA compliant)
- Handed
- Staked, brass adjusting valves
- Product shipped with all wood and all metal screws
- Separate and independent closing speed and latch speed valves
- Separate and independent hydraulic backcheck valve
- All weather fluid (accommodates a temperature range from - 40° to 150°F.)
- Hanging means by others. If products other than 3/4" offset pivots or 4-1/2" x 4-1/2" butt hinges are used, contact factory for special templating and pricing
- 5 year limited warranty

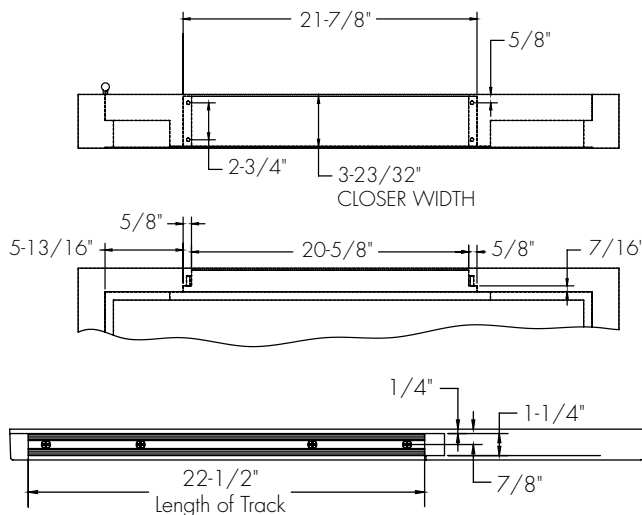
**Optional Features**

- Hold open; can be achieved by adding hold open assembly to track. Specify 91H. (Standard hold open with pivot is 85°; 85°-105° with butt hinges)
- Extended spindle; 1/2" longer than standard closer spindle. Must be ordered as part of the closer; cannot be added later
- Wood frame; specify prefix W (W91N, WPH91N, W91H, WPH91H)

**Compliance**

- ANSI/C05031/C05041
- A156.4 Grade 1 certified
- UL / cUL listed for use on fire rated doors
- UL10C listed for positive pressure fire test. Ratings are 3 hours for hollow metal door and 1-1/2 hour rated wood doors. PH91 not recommended.
- PH91 meets requirements for Americans with Disabilities Act (ADA)

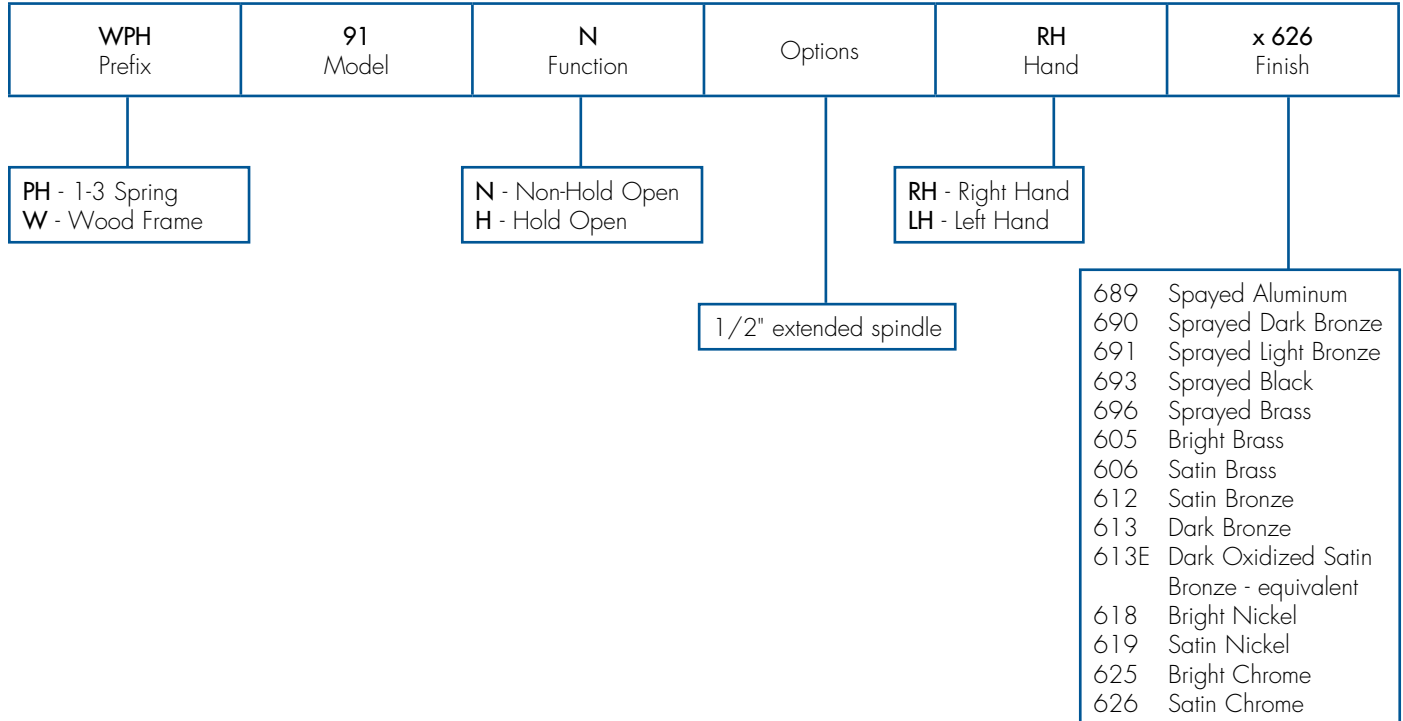
**Technical Info**



# OVERHEAD CONCEALED CLOSERS ARCHITECTURAL GRADE/OFFSET HUNG

## MODEL 91

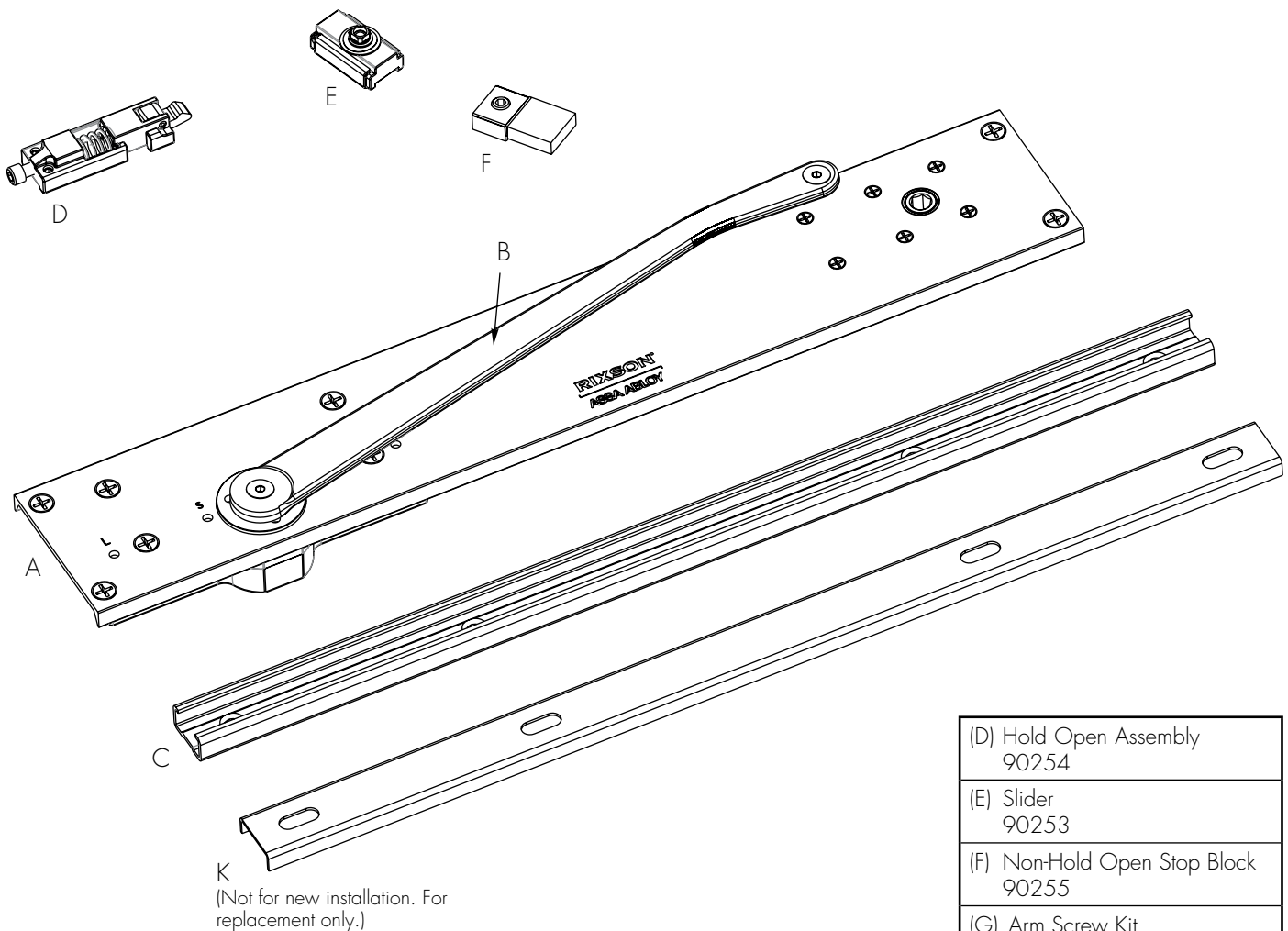
### How to Order



MODEL 91

Packages
Right Hand Arm Package 90237-***PKG (includes 90237, 90259 and 90253)
Left Hand Arm Package 90236-***PKG (includes 90236, 90259 and 90253)
Non-Hold Open Track Assembly 90255-ASY (includes 90255, 90242 and 90239)
Hold Open Track Assembly 90254-ASY (includes 90254, 90242 and 90239)

(A) Closer Body (Specify hand, function, finish x LAP)
(B) Arm 90236-*** (LH) 90237-*** (RH)
(C) Track 90239



(D) Hold Open Assembly 90254
(E) Slider 90253
(F) Non-Hold Open Stop Block 90255
(G) Arm Screw Kit 90259-***
(H) Closer Screw Kit 90241-***
(J) Track Screw Kit 90242
(K) Retrofit Track Spacer and Screws (Consult Factory)

Left hand shown  
\*specify finish

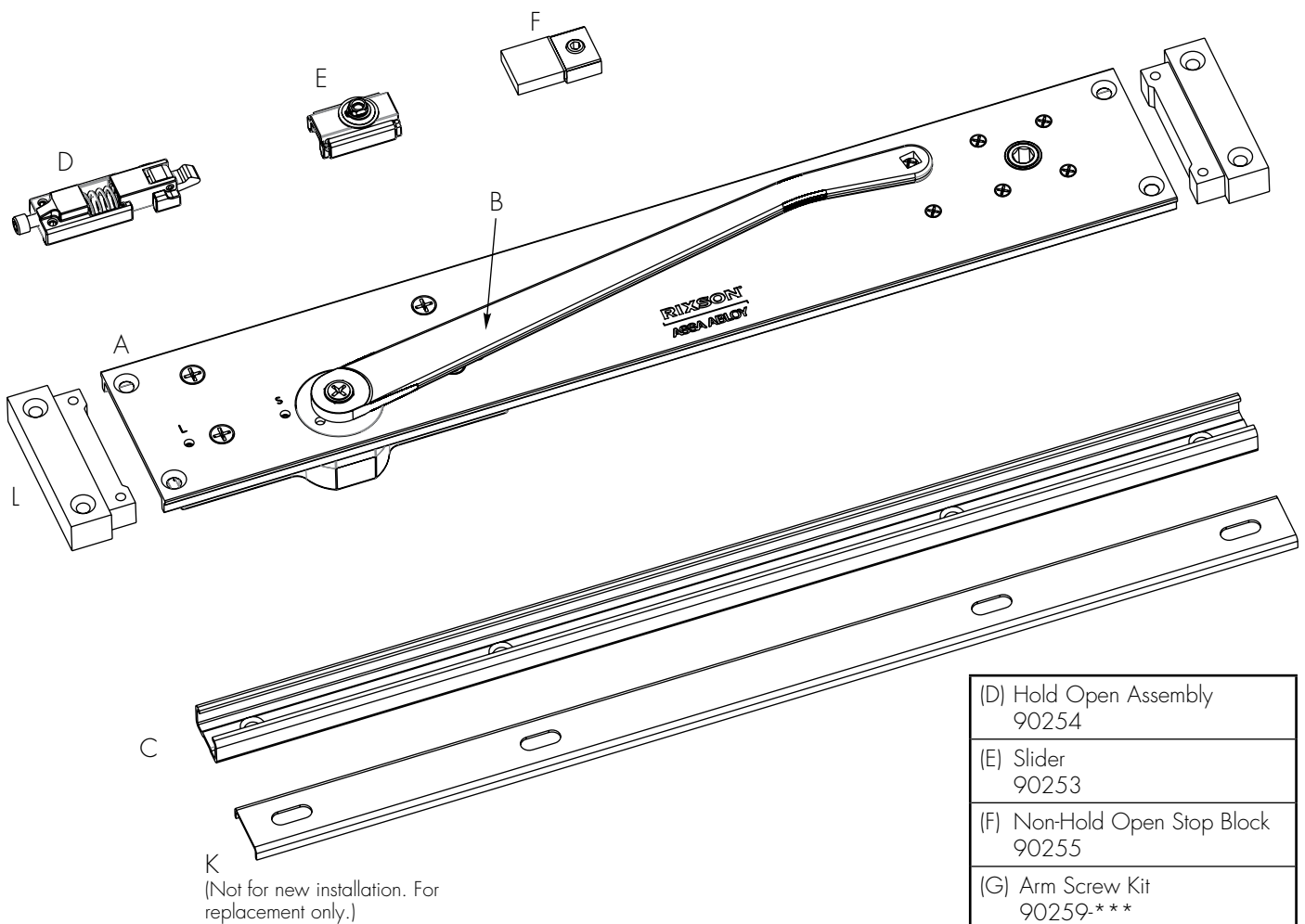
# OVERHEAD CONCEALED CLOSERS

## PARTS LIST

### MODEL W91

Packages
Right Hand Arm Package 90237-***PKG (includes 90237, 90259 and 90253)
Left Hand Arm Package 90236-***PKG (includes 90236, 90259 and 90253)
Non-Hold Open Track Assembly 90255-ASY (includes 90255, 90242 and 90239)
Hold Open Track Assembly 90254-ASY (includes 90254, 90242 and 90239)

(A) Closer Body (Specify hand, function, finish x LAP)
(B) Arm 90236-*** (LH) 90237-*** (RH)
(C) Track 90239



(D) Hold Open Assembly 90254
(E) Slider 90253
(F) Non-Hold Open Stop Block 90255
(G) Arm Screw Kit 90259-***
(H) Closer Screw Kit 90241-***
(I) Track Screw Kit 90242
(J) Retrofit Track Spacer and Screws (Consult Factory)
(L) Wood Frame Clip 90257-***

Left hand shown  
\*specify finish