

SPECIALTY CLOSERS

DOUBLE ACTING CENTER HUNG

MODELS 10 & 12 DUO-CHEK®

Application

- Double Acting, Non-handed
- Low/Medium Traffic Interior Doors
- Weight to 125 lbs.
- Sizes up to 2'10" x 7'0" (864 x 2134mm)



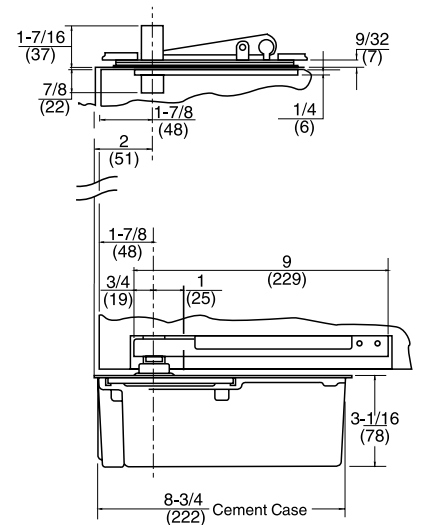
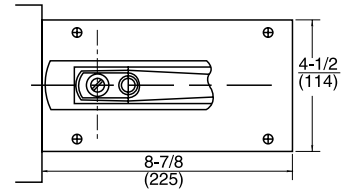
ANSI/CO6013

Product Description & Features

- Model 10 is 90° automatic hold open; 12 is non-hold open
- Standard top pivot: 101020 walking beam type
- Not allowed for use on labeled fire doors
- Cast iron cement case
- Adjustable closing speed
- Centering arm for adjustment
- 95° maximum opening
- Models 10 and 12 available to meet ICC/ANSI A117.1 low opening force requirements. Prefix "PH"
- 1-3/4" door thickness
- Furnished with wood and machine screws
- Extended spindles available in 1/2" increments up to 2" longer than standard

Technical Information

Doors must have radiused edges



MODELS 15 & 16 DUO-CHEK®

Application

- Weight to 125 lbs.
- Sizes up to 3'6" x 7'0" (1067 x 2134mm)

ANSI/CO6013

Product Description & Features

Identical to Models 10 & 12 except:

- Stronger spring to accommodate wider door
- 15 is 90° automatic hold open; 16 is non-hold open
- "PH" not available